

## Adjustable supports

### Item description/product images



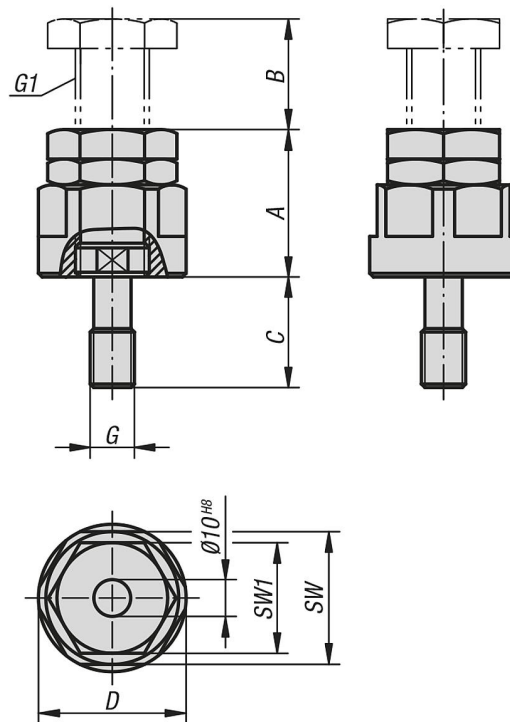
### Description

**Material:**  
Carbon steel.

**Version:**  
Black oxidised.  
Adjustment spindle tempered.

**Note:**  
Inserts K0826 can be mounted in the top to suit the application.

### Drawings



### Overview of items

### Adjustable supports

## Adjustable supports

### Overview of items

| Order No.   | A<br>min. | B<br>max. | C  | D  | SW | SW1 | G   | G1      |
|-------------|-----------|-----------|----|----|----|-----|-----|---------|
| K0825.12040 | 40        | 10        | 30 | 40 | 36 | 30  | M12 | M20x1,5 |
| K0825.12050 | 50        | 20        | 30 | 40 | 36 | 30  | M12 | M20x1,5 |
| K0825.12070 | 70        | 40        | 30 | 40 | 36 | 30  | M12 | M20x1,5 |
| K0825.12100 | 100       | 50        | 30 | 50 | 46 | 36  | M12 | M24x2   |
| K0825.12150 | 150       | 100       | 30 | 50 | 46 | 36  | M12 | M24x2   |
| K0825.16040 | 40        | 10        | 30 | 40 | 36 | 30  | M16 | M20x1,5 |
| K0825.16050 | 50        | 20        | 30 | 40 | 36 | 30  | M16 | M20x1,5 |
| K0825.16070 | 70        | 40        | 30 | 40 | 36 | 30  | M16 | M20x1,5 |
| K0825.16100 | 100       | 50        | 30 | 50 | 46 | 36  | M16 | M24x2   |
| K0825.16150 | 150       | 100       | 30 | 50 | 46 | 36  | M16 | M24x2   |