

Clamping levers, die-cast zinc, flat with external thread, threaded pin stainless steel

Item description/product images



lift to
disengage



Description

Material:

Handle die-cast zinc DIN EN 12844.

Steel parts stainless steel 1.4305.

Version:

Handle powder-coated.

Stainless steel parts bright.

Note:

Standard colours are:

orange RAL 2004.

Where L is ≥ 60 mm the thread length is 60 mm.

On request:

Other threads, screw lengths, colours and special versions.

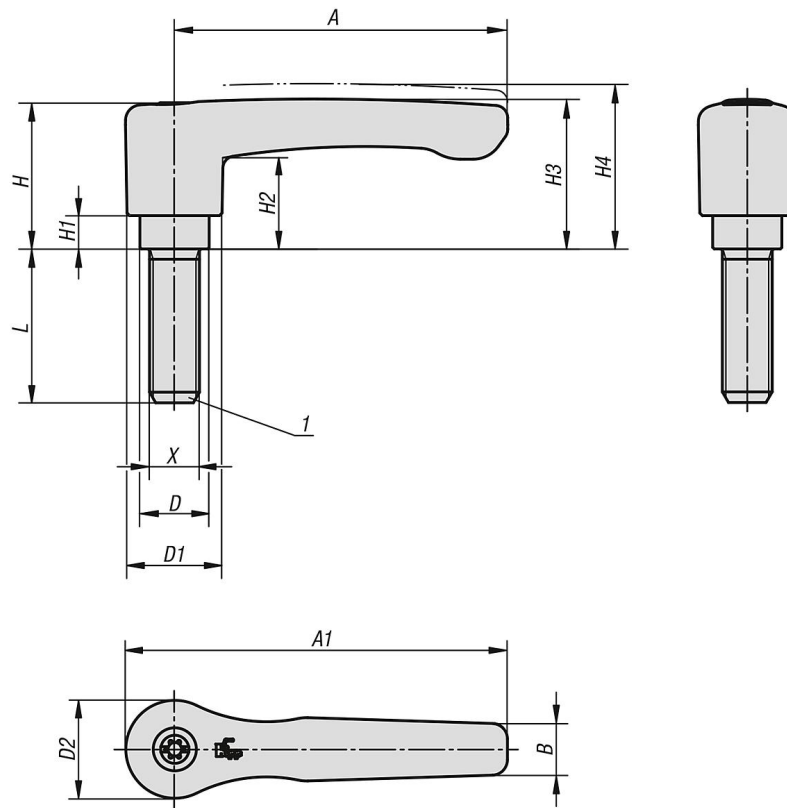
Dimension "H1" available in other lengths at extra charge.

Drawing reference:

1) flat point DIN EN ISO 4753

Clamping levers, die-cast zinc, flat with external thread, threaded pin stainless steel

Drawings



Overview of items

Clamping levers, flat with external thread, stainless steel

Order No.	Main colour	Surface finish body	Size	X	D	D1	D2	H	H1	H2	H3	H4	A	A1	B	No. of teeth	L
K0738.2062X15	orange RAL 2004	plastic-coated	2	M6	13,5	18,5	19,1	28,5	6,5	17,8	29,2	32,2	65	74,5	10,1	20	15
K0738.2062X20	orange RAL 2004	plastic-coated	2	M6	13,5	18,5	19,1	28,5	6,5	17,8	29,2	32,2	65	74,5	10,1	20	20
K0738.2062X25	orange RAL 2004	plastic-coated	2	M6	13,5	18,5	19,1	28,5	6,5	17,8	29,2	32,2	65	74,5	10,1	20	25
K0738.2062X30	orange RAL 2004	plastic-coated	2	M6	13,5	18,5	19,1	28,5	6,5	17,8	29,2	32,2	65	74,5	10,1	20	30
K0738.2062X40	orange RAL 2004	plastic-coated	2	M6	13,5	18,5	19,1	28,5	6,5	17,8	29,2	32,2	65	74,5	10,1	20	40
K0738.2062X50	orange RAL 2004	plastic-coated	2	M6	13,5	18,5	19,1	28,5	6,5	17,8	29,2	32,2	65	74,5	10,1	20	50
K0738.2062X60	orange RAL 2004	plastic-coated	2	M6	13,5	18,5	19,1	28,5	6,5	17,8	29,2	32,2	65	74,5	10,1	20	60
K0738.2082X15	orange RAL 2004	plastic-coated	2	M8	13,5	18,5	19,1	28,5	6,5	17,8	29,2	32,2	65	74,5	10,1	20	15
K0738.2082X20	orange RAL 2004	plastic-coated	2	M8	13,5	18,5	19,1	28,5	6,5	17,8	29,2	32,2	65	74,5	10,1	20	20
K0738.2082X25	orange RAL 2004	plastic-coated	2	M8	13,5	18,5	19,1	28,5	6,5	17,8	29,2	32,2	65	74,5	10,1	20	25
K0738.2082X30	orange RAL 2004	plastic-coated	2	M8	13,5	18,5	19,1	28,5	6,5	17,8	29,2	32,2	65	74,5	10,1	20	30
K0738.2082X40	orange RAL 2004	plastic-coated	2	M8	13,5	18,5	19,1	28,5	6,5	17,8	29,2	32,2	65	74,5	10,1	20	40
K0738.2082X50	orange RAL 2004	plastic-coated	2	M8	13,5	18,5	19,1	28,5	6,5	17,8	29,2	32,2	65	74,5	10,1	20	50
K0738.2082X60	orange RAL 2004	plastic-coated	2	M8	13,5	18,5	19,1	28,5	6,5	17,8	29,2	32,2	65	74,5	10,1	20	60
K0738.2102X20	orange RAL 2004	plastic-coated	2	M10	13,5	18,5	19,1	28,5	6,5	17,8	29,2	32,2	65	74,5	10,1	20	20
K0738.2102X25	orange RAL 2004	plastic-coated	2	M10	13,5	18,5	19,1	28,5	6,5	17,8	29,2	32,2	65	74,5	10,1	20	25
K0738.2102X30	orange RAL 2004	plastic-coated	2	M10	13,5	18,5	19,1	28,5	6,5	17,8	29,2	32,2	65	74,5	10,1	20	30
K0738.2102X40	orange RAL 2004	plastic-coated	2	M10	13,5	18,5	19,1	28,5	6,5	17,8	29,2	32,2	65	74,5	10,1	20	40
K0738.2102X50	orange RAL 2004	plastic-coated	2	M10	13,5	18,5	19,1	28,5	6,5	17,8	29,2	32,2	65	74,5	10,1	20	50
K0738.2102X60	orange RAL 2004	plastic-coated	2	M10	13,5	18,5	19,1	28,5	6,5	17,8	29,2	32,2	65	74,5	10,1	20	60
K0738.3082X20	orange RAL 2004	plastic-coated	3	M8	16	21,2	22	37	10	23,8	38	42	80	91	11,7	22	20
K0738.3082X25	orange RAL 2004	plastic-coated	3	M8	16	21,2	22	37	10	23,8	38	42	80	91	11,7	22	25
K0738.3082X30	orange RAL 2004	plastic-coated	3	M8	16	21,2	22	37	10	23,8	38	42	80	91	11,7	22	30
K0738.3082X40	orange RAL 2004	plastic-coated	3	M8	16	21,2	22	37	10	23,8	38	42	80	91	11,7	22	40
K0738.3082X50	orange RAL 2004	plastic-coated	3	M8	16	21,2	22	37	10	23,8	38	42	80	91	11,7	22	50
K0738.3082X60	orange RAL 2004	plastic-coated	3	M8	16	21,2	22	37	10	23,8	38	42	80	91	11,7	22	60

Clamping levers, die-cast zinc, flat with external thread, threaded pin stainless steel

Overview of items

Order No.	Main colour	Surface finish body	Size	X	D	D1	D2	H	H1	H2	H3	H4	A	A1	B	No. of teeth	L
K0738.3102X20	orange RAL 2004	plastic-coated	3	M10	16	21,2	22	37	10	23,8	38	42	80	91	11,7	22	20
K0738.3102X25	orange RAL 2004	plastic-coated	3	M10	16	21,2	22	37	10	23,8	38	42	80	91	11,7	22	25
K0738.3102X30	orange RAL 2004	plastic-coated	3	M10	16	21,2	22	37	10	23,8	38	42	80	91	11,7	22	30
K0738.3102X40	orange RAL 2004	plastic-coated	3	M10	16	21,2	22	37	10	23,8	38	42	80	91	11,7	22	40
K0738.3102X50	orange RAL 2004	plastic-coated	3	M10	16	21,2	22	37	10	23,8	38	42	80	91	11,7	22	50
K0738.3102X60	orange RAL 2004	plastic-coated	3	M10	16	21,2	22	37	10	23,8	38	42	80	91	11,7	22	60