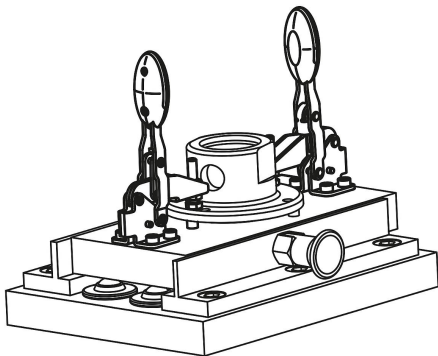


Toggle clamps horizontal with safety interlock with flat foot and adjustable clamping spindle, stainless steel

Item description/product images



Description

Material:

Stainless steel.
Grip polyamide.
Unlocking bracket TPE.

Version:

Bright.
Grip blue, black or red.

Note:

Maintenance-free high quality link bushings. Sustainable constant force during opening and closing. Optimum stability through the conical, U-profile clamping arm. Including internal bar lock with automatic safety catch.

On request:

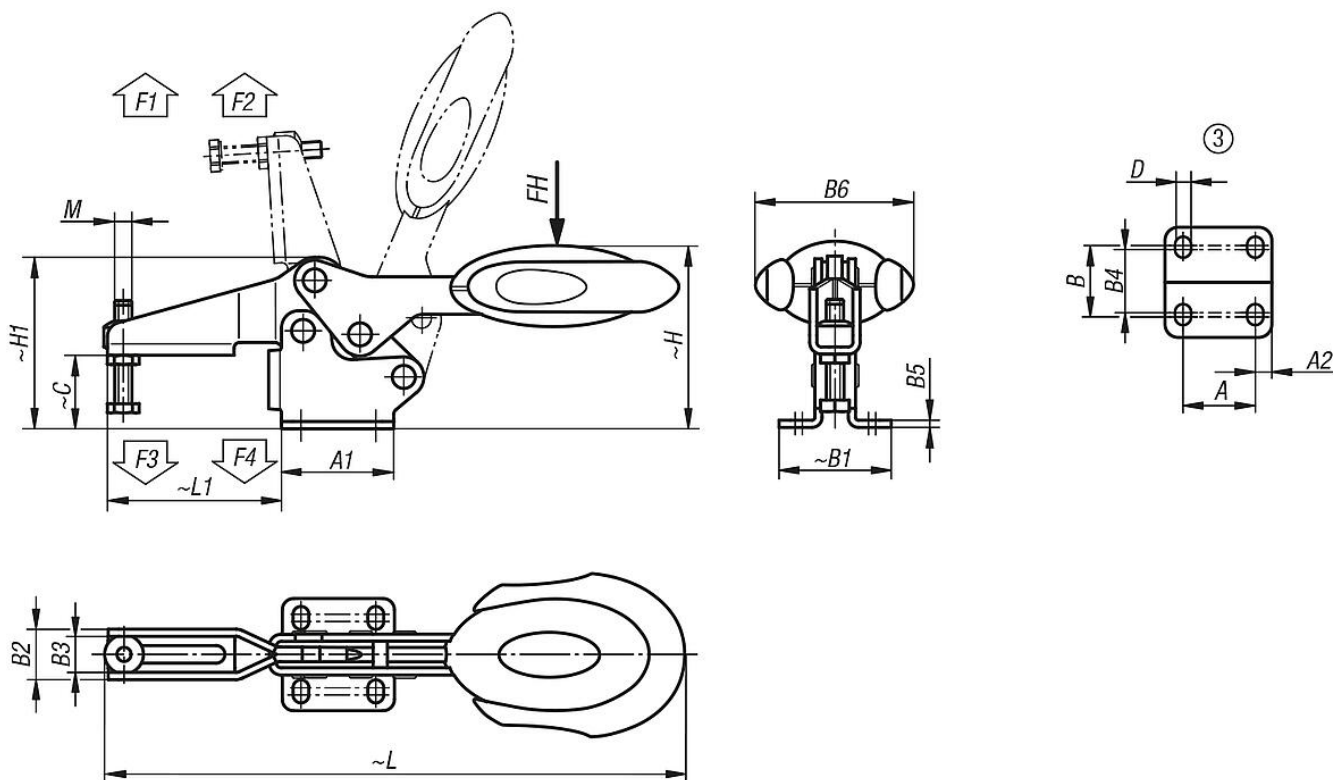
Other grip colours.

Accessory:

K0106
K0384
K0390
K0392
K0667

Toggle clamps horizontal with safety interlock with flat foot and adjustable clamping spindle, stainless steel

Drawings



Overview of items

Toggle clamps horizontal with flat foot and safety interlock, stainless steel

| Order No. | Component colour | hole arrangement | Opening angle of holding arm | Opening angle of handle | Hand force FH N | Retaining force F1 N | Retaining force F2 N | Clamping force F3 N | Clamping force F4 N |
|--------------|----------------------|------------------|------------------------------|-------------------------|-----------------|----------------------|----------------------|---------------------|---------------------|
| K0660.106101 | ultramarine RAL 5002 | 3 | 86° | 67° | 160 | 1350 | 1900 | 720 | 1200 |
| K0660.108101 | ultramarine RAL 5002 | 3 | 86° | 67° | 200 | 2000 | 2800 | 830 | 1400 |
| K0660.106100 | black grey RAL 7021 | 3 | 86° | 67° | 160 | 1350 | 1900 | 720 | 1200 |
| K0660.108100 | black grey RAL 7021 | 3 | 86° | 67° | 200 | 2000 | 2800 | 830 | 1400 |
| K0660.106103 | traffic red RAL 3020 | 3 | 86° | 67° | 160 | 1350 | 1900 | 720 | 1200 |
| K0660.108103 | traffic red RAL 3020 | 3 | 86° | 67° | 200 | 2000 | 2800 | 830 | 1400 |

| Order No. | Component colour | M | A | A1 | A2 | B | B1 | B2 | B3 | B4 | B5 | B6 | C | D | H | H1 | L | L1 |
|--------------|----------------------|-------|----|----|-----|----|----|------|------|----|-----|------|------|-----|------|------|-------|------|
| K0660.106101 | ultramarine RAL 5002 | M6x35 | 26 | 39 | 6,5 | 28 | 39 | 17,5 | 12,5 | 23 | 2,5 | 53,4 | 25,4 | 5,5 | 63,7 | 59,6 | 193,3 | 60,5 |
| K0660.108101 | ultramarine RAL 5002 | M8x45 | 26 | 44 | 9 | 31 | 45 | 21 | 16 | 24 | 2,5 | 51,1 | 32,2 | 6,2 | 73,9 | 70,1 | 230,4 | 74,9 |
| K0660.106100 | black grey RAL 7021 | M6x35 | 26 | 39 | 6,5 | 28 | 39 | 17,5 | 12,5 | 23 | 2,5 | 53,4 | 25,4 | 5,5 | 63,7 | 59,6 | 193,3 | 60,5 |
| K0660.108100 | black grey RAL 7021 | M8x45 | 26 | 44 | 9 | 31 | 45 | 21 | 16 | 24 | 2,5 | 51,1 | 32,2 | 6,2 | 73,9 | 70,1 | 230,4 | 74,9 |
| K0660.106103 | traffic red RAL 3020 | M6x35 | 26 | 39 | 6,5 | 28 | 39 | 17,5 | 12,5 | 23 | 2,5 | 53,4 | 25,4 | 5,5 | 63,7 | 59,6 | 193,3 | 60,5 |
| K0660.108103 | traffic red RAL 3020 | M8x45 | 26 | 44 | 9 | 31 | 45 | 21 | 16 | 24 | 2,5 | 51,1 | 32,2 | 6,2 | 73,9 | 70,1 | 230,4 | 74,9 |