

Swivel feet plates extended, die-cast zinc, Form D

Item description/product images



Description

Material:

Plate die-cast zinc.

Anti-slip plate thermoplastic elastomer.

Version:

Plate black powder-coated.

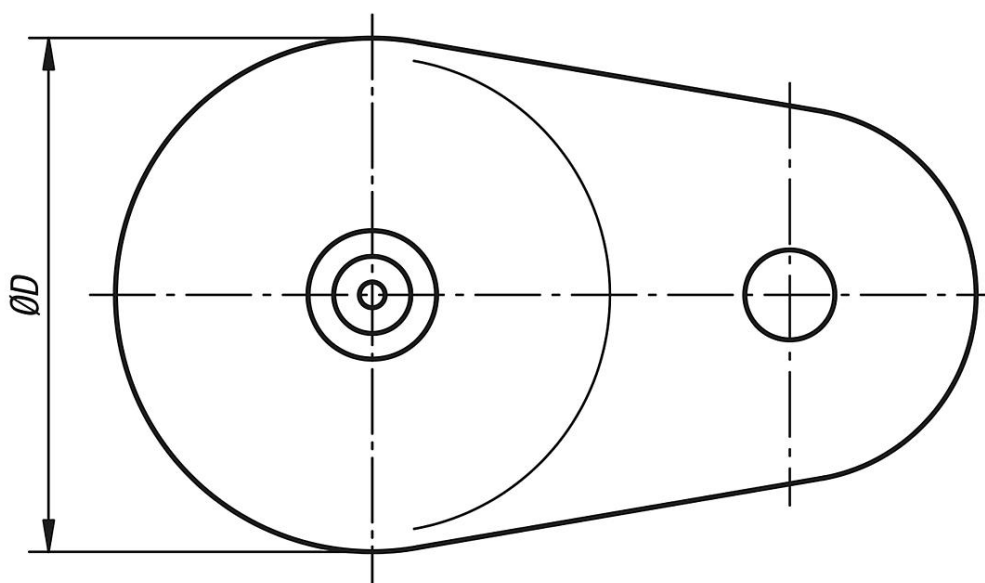
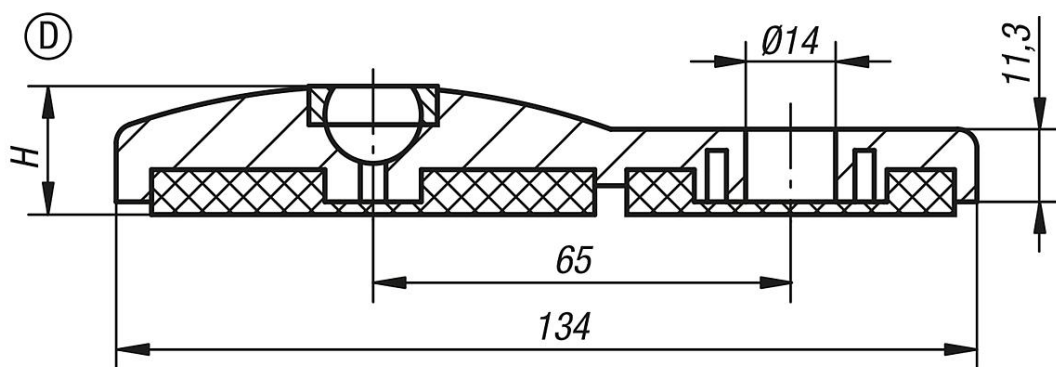
Note:

Swivel feet consist of a plate and a threaded spindle or ball joint. Any plate can be combined with any threaded spindle or ball joint. The anti-slip plate absorbs vibrations and prevents the swivel foot slipping.

For matching threaded spindles see K0421.

For matching ball joints see K0422.

Drawings



Swivel feet plates extended, die-cast zinc, Form D

Overview of items

Swivel feet plates extended, die-cast zinc

Order No.	Form	D	H	Load rating max. kN
K0417.40801	D	80	20	30