

Dipstick Form D, with vent hole

Item description/product images



Description

Material:

Grip thermoplastic polyamide.
Dipstick steel.
O-ring NBR, Shore 70.

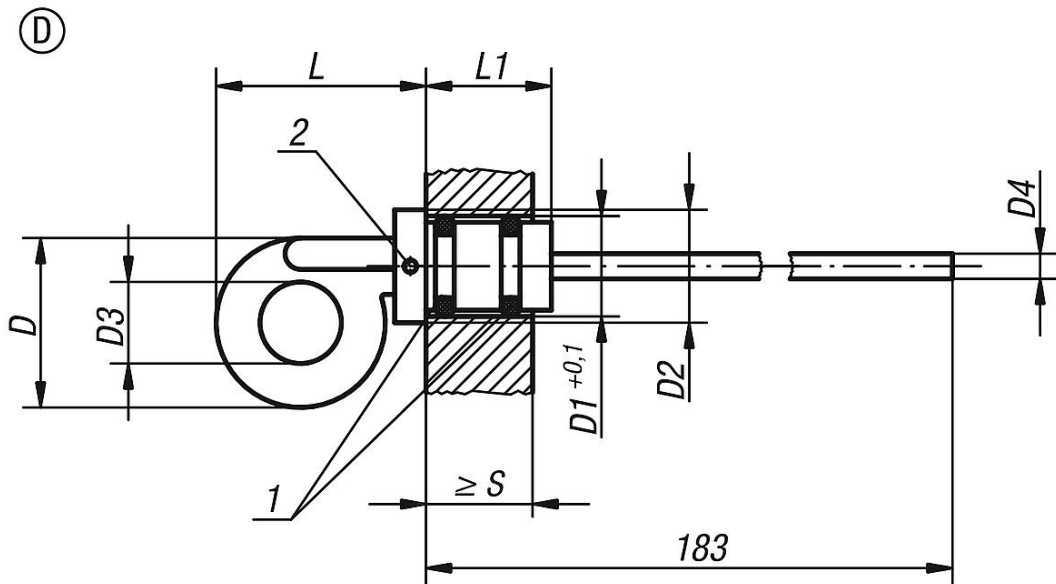
Version:

Black handle.
Dipstick, phosphated.

Drawing reference:

- 1) O-ring
- 2) vent hole

Drawings



Overview of items

Order No.	Form	D	D1	D2	D3	D4 Ø	L	L1	S min.
K0468.42714	D	27	14	18	13	4	34	20	17
K0468.43318	D	33	18	24	14	5	44	21	17,5