

## Swivel feet plates, plastic, Form D

### Item description/product images



### Description

#### Material:

Plates, thermoplastic, glass bead reinforced.  
Anti-slip plate thermoplastic elastomer.

#### Version:

Black.

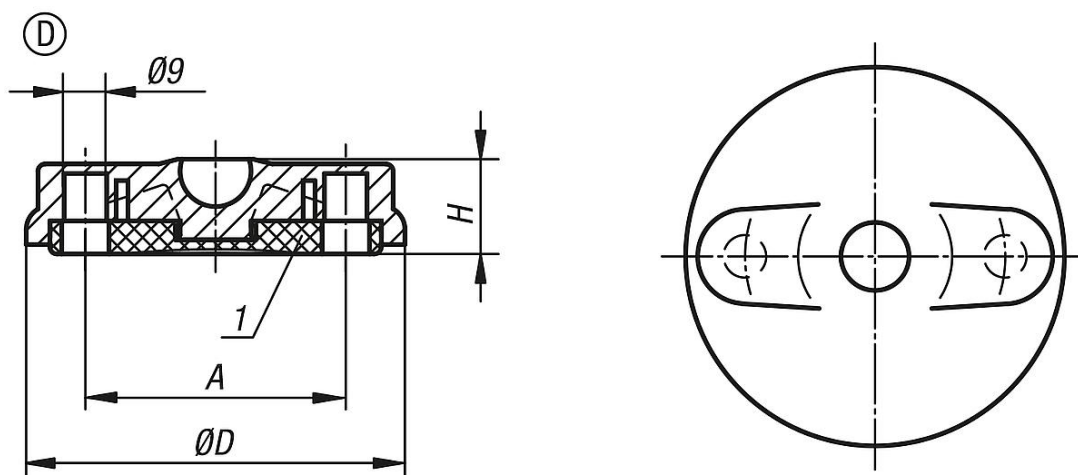
#### Note:

Swivel feet consist of a plate and a threaded spindle or ball joint. Any plate can be combined with any threaded spindle or ball joint. The anti-slip plate absorbs vibrations and prevents the swivel foot slipping.

For matching threaded spindles see K0421.

For matching ball joints see K0422.

### Drawings



### Overview of items

Order No.	Form	Size	D	A	H	Load rating max. kN
K0415.4080	D	80	79	55	20	9
K0415.4100	D	100	99	74	20	9
K0415.4120	D	120	119	94	20	9