

Star grips DIN 6336, grey cast iron, Form D, thread countersunk

Item description/product images



Description

Material:

Grey cast iron GJL 200.

Version:

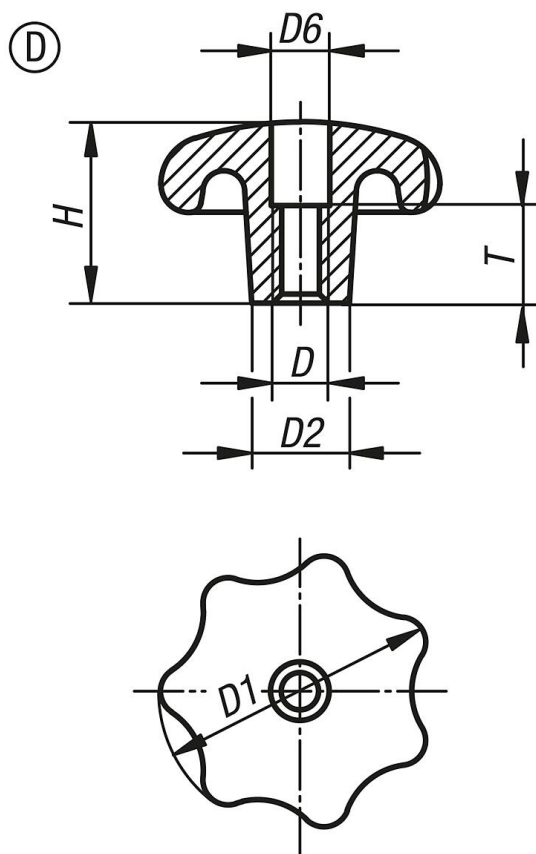
Vibratory ground.

Bright.

On request:

Grips with a plastic coating.

Drawings



Overview of items

Order No.	Form	Surface finish body	D	D1	D2	D6	H	T
K0151.406	D	tumbled	M6	32	12	6,4	20	10
K0151.408	D	tumbled	M8	40	14	8,4	25	13
K0151.410	D	tumbled	M10	50	18	10,5	32	16
K0151.412	D	tumbled	M12	63	20	13	40	20
K0151.416	D	tumbled	M16	80	25	17	50	20

