

Star grips DIN 6336, grey cast iron, Form B, drilled through

Item description/product images



Description

Material:

Grey cast iron GJL 200.

Version:

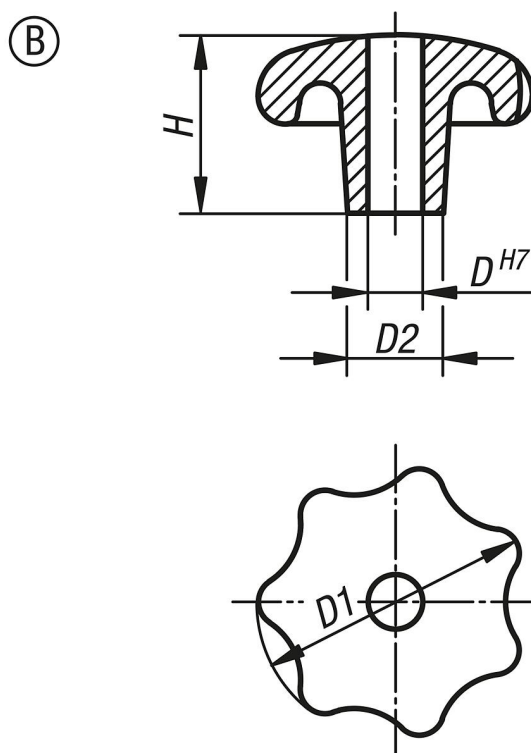
Vibratory ground.

Bright.

On request:

Grips with a plastic coating.

Drawings



Overview of items

Grey Cast Iron Star Grips DIN 6336

Order No.	Form	Surface finish body	D	D1	D2	H
K0151.206	B	tumbled	6	32	12	20
K0151.208	B	tumbled	8	40	14	25
K0151.210	B	tumbled	10	50	18	32
K0151.212	B	tumbled	12	63	20	40
K0151.216	B	tumbled	16	80	25	50

