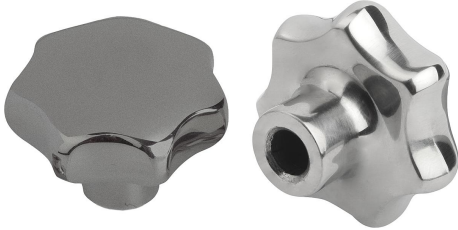


# Star grips similar to DIN 6336, stainless steel, Form C, blind hole

## Item description/product images



## Description

### Material:

Stainless steel 1.4308.

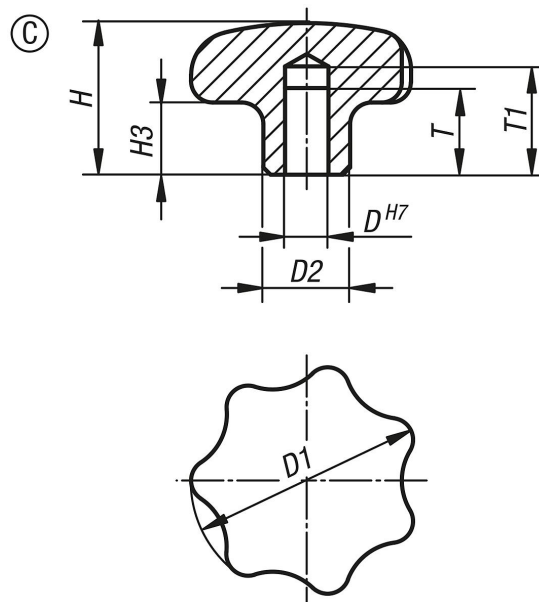
### Version:

Ground and polished or blasted.

### On request:

With external thread.

## Drawings



## Overview of items

### Star Grips in stainless steel, similar to DIN 6336

Order No.	Form	Surface finish body	D	D1	D2	H	H3	T	T1
K0150.332062	C	polished	6	32	12	21	10	12	15
K0150.340082	C	polished	8	40	14	26	13	15	18
K0150.350102	C	polished	10	50	18	34	17	18	21
K0150.363122	C	polished	12	63	20	42	21	22	25
K0150.332063	C	blasted	6	32	12	21	10	12	15
K0150.340083	C	blasted	8	40	14	26	13	15	18
K0150.350103	C	blasted	10	50	18	34	17	18	21
K0150.363123	C	blasted	12	63	20	42	21	22	25