

Palm grips similar to DIN 6335, stainless steel, Form E, blind tapped hole

Item description/product images



Description

Material:

Stainless steel 1.4308.

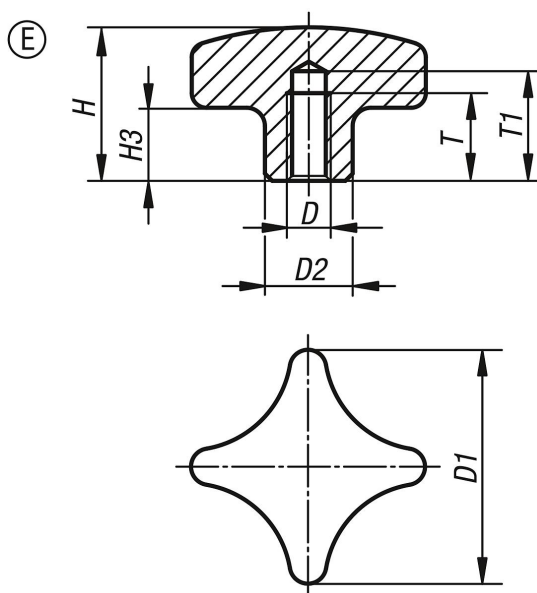
Version:

Ground and polished or blasted.

On request:

With external thread.

Drawings



Overview of items

Order No.	Form	Surface finish body	D	D1	D2	H	H3	T	T1
K0146.5032062	E	polished	M6	32	12	21	10	12	15
K0146.5040082	E	polished	M8	40	14	26	14	15	18
K0146.5050102	E	polished	M10	50	18	34	20	18	21
K0146.5063122	E	polished	M12	63	20	42	25	22	25
K0146.5032063	E	blasted	M6	32	12	21	10	12	15
K0146.5040083	E	blasted	M8	40	14	26	14	15	18
K0146.5050103	E	blasted	M10	50	18	34	20	18	21
K0146.5063123	E	blasted	M12	63	20	42	25	22	25