

## Catch plate, Form B

Item description/product images

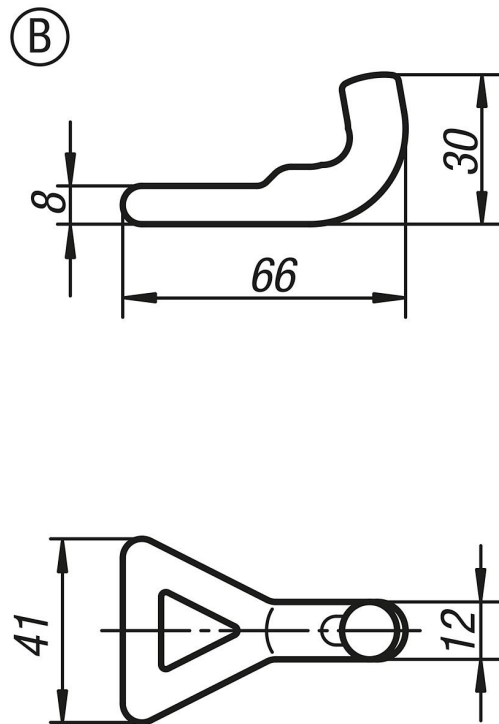


### Description

**Material:**  
Steel.

**Version:**  
Bright.

### Drawings



### Overview of items

| Order No.      | Form |
|----------------|------|
| K0052.92000601 | B    |