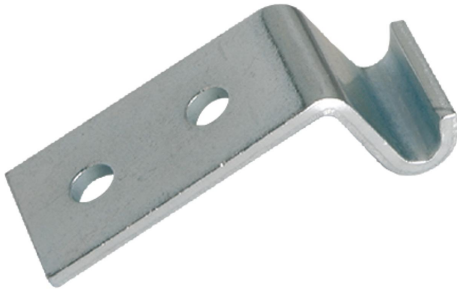


Catch plates, Form C

Item description/product images



Description

Material:

Steel or stainless steel 1.4301.

Version:

Steel trivalent blue passivated.

Stainless steel bright.

Note:

Adjustable latches are secure locking systems for industrial applications. By exceeding the dead centre they resist vibration.

After the hook is engaged with the catch plate, the parts to be locked can be drawn together by up to 5 mm by pushing the lever down.

To compensate for tolerances or to create enough tension, the hook length can be adjusted using the M5 threaded spindle.

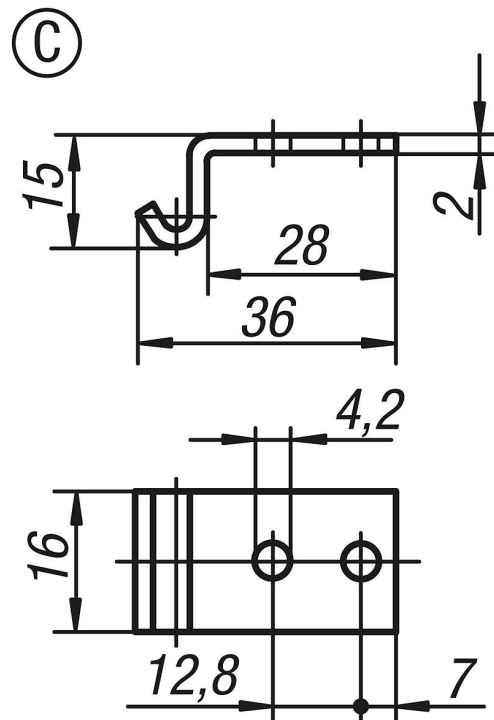
The latches can be screwed down or riveted.

Any catch plate can be combined with any latch.

Order required catch plate version separately.

The retaining force F1 applies to the latch, not the catch plate.

Drawings



Catch plates, Form C**Overview of items**

Order No.	Main material	Form
K0046.9342381	steel	C
K0046.9342382	stainless steel	C