

Latches with draw bail, Form B

Item description/product images



Description

Material:

Steel or stainless steel 1.4301.

Version:

Steel trivalent blue passivated.

Stainless steel bright.

Note:

Latches with draw bail for securing and locking hatches, container lids, machine cladding etc. By exceeding the dead centre they resist vibration.

The fastening force is applied by drawing on the bail.

The hole D2 can be used to secure against unintentional opening or attaching an official lead seal.

The latches can be screwed down or riveted.

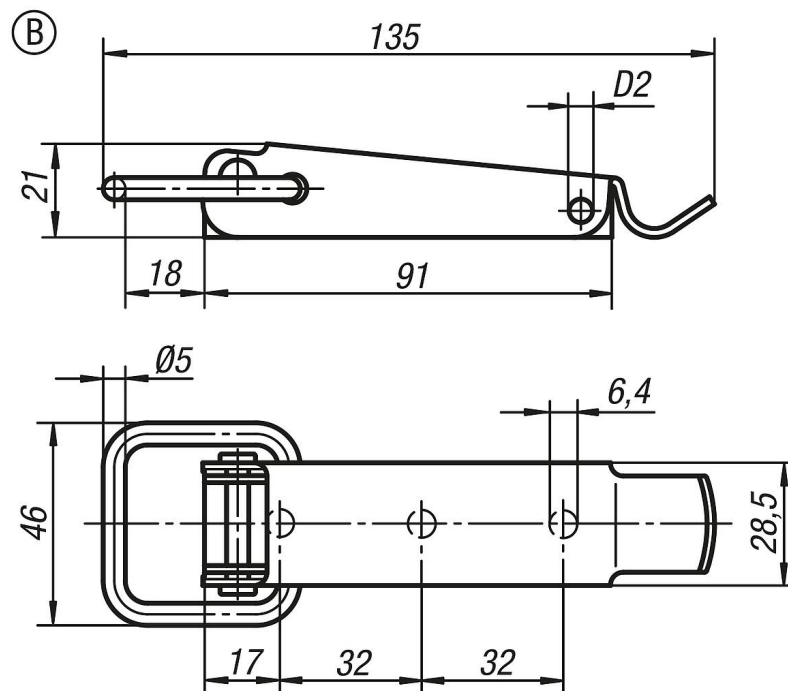
Order catch plates separately.

The retaining force F1 applies to the latch, not the catch plate.

On request:

Lockable version with padlock bracket.

Drawings



Overview of items

Latches with draw bail

Latches with draw bail, Form B**Overview of items**

Order No.	Main material	D2	Retaining force F1 N
K0045.2641351	steel	3,8	3000
K0045.2641352	stainless steel	3,8	3000