

## Catch plates, Form B

### Item description/product images



### Description

#### Material:

Steel or stainless steel 1.4301.

#### Version:

Steel trivalent blue passivated.

Stainless steel bright.

#### Note:

Latches with draw bail for securing and locking hatches, container lids, machine cladding etc. By exceeding the dead centre they resist vibration.

The fastening force is applied by drawing on the bail.

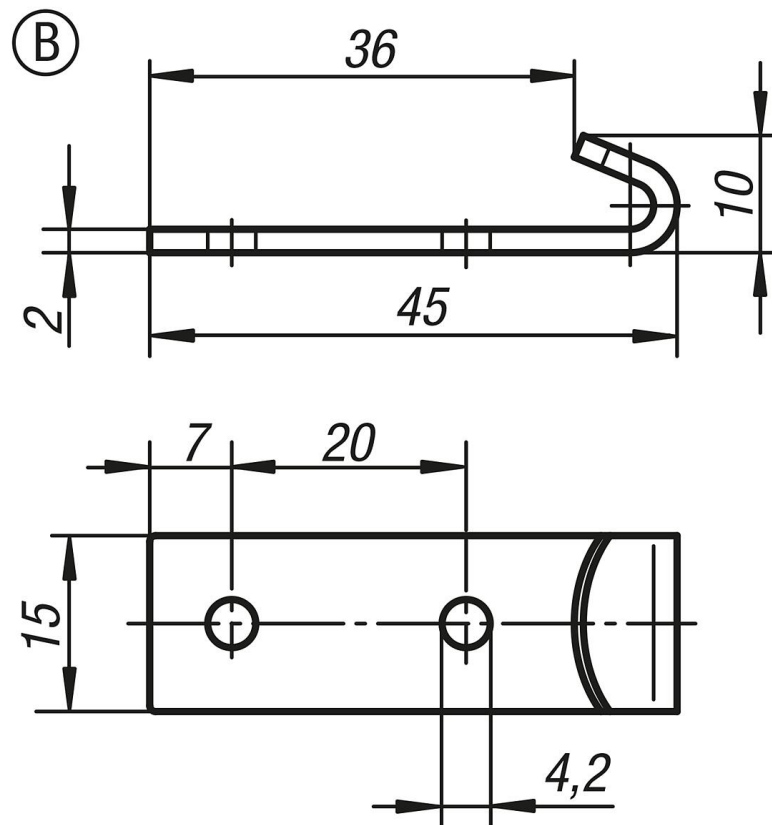
The hole D2 can be used to secure against unintentional opening or attaching an official lead seal.

The latches can be screwed down or riveted.

Order catch plates separately.

The retaining force F1 applies to the latch, not the catch plate.

### Drawings



**Catch plates, Form B****Overview of items**

Order No.	Main material	Form
K0044.9242451	steel	B
K0044.9242452	stainless steel	B