

# Goose-neck clamp straps

## Item description/product images



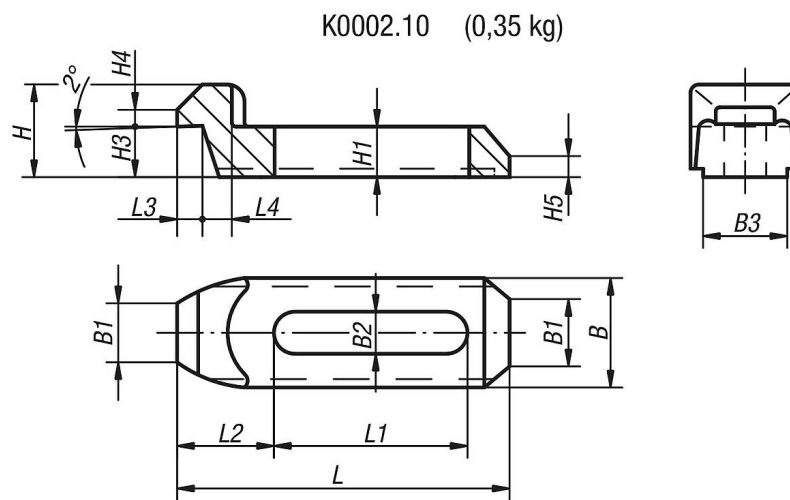
### Description

**Material:**  
Carbon steel 1.7225

**Version:**  
Tempered to 1000 N/mm<sup>2</sup>, black oxidised.

**Note:**  
For suitable supports and adjustable rest pads, see K0305 and K0306.

## Drawings



## Overview of items

| Order No. | Item        | L   | L1 | L2 | L3 | L4 | L5 | B  | B1 | B2 | B3   | H  | H1 | H2 | H3 | H4 | H5 | H6 |
|-----------|-------------|-----|----|----|----|----|----|----|----|----|------|----|----|----|----|----|----|----|
| K0002.10  | Clamp Strap | 110 | 67 | 25 | 8  | 9  | -  | 36 | 21 | 13 | 29,5 | 27 | 16 | -  | 15 | 5  | 7  | -  |