

## Swivel feet steel, Form B

### Item description/product images

---



### Description

**Material:**

Foot plate and threaded spindle steel.

Anti-slip plate (NBR) 70 Shore.

**Version:**

Foot plate painted yellow.

Threaded spindle electro zinc-plated.

Anti-slip plate black.

**Note:**

High load rated steel swivel feet with yellow painted plate, optional with an anti-slip plate. The anti-slip plate absorbs vibrations and prevents the swivel foot slipping.

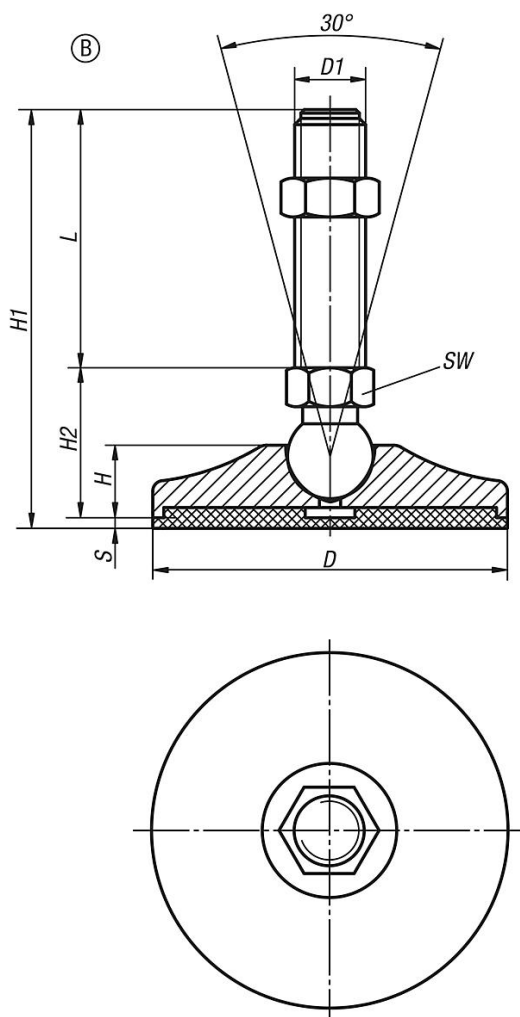
The load values specified in the table are based on a test series, in which a static load was applied perpendicular to the plates through the centre of the spindle.

Radially acting forces such as those produced by vibrations or other shaking effects, affect the load rating and are not taken into account for the specified values.

Supplied with matching nut.

# Swivel feet steel, Form B

## Drawings



## Overview of items

Order No.	Form	D	D1	H	H1	H2	S	SW	L	Load rating max. kN (static load only)
K0742.105010X25	B	50	M10	16	56	28	3	14	25	15
K0742.105010X50	B	50	M10	16	81	28	3	14	50	15
K0742.105010X75	B	50	M10	16	106	28	3	14	75	15
K0742.105010X100	B	50	M10	16	131	28	3	14	100	15
K0742.105010X125	B	50	M10	16	156	28	3	14	125	15
K0742.105012X25	B	50	M12	16	56	28	3	14	25	15
K0742.105012X50	B	50	M12	16	81	28	3	14	50	15
K0742.105012X75	B	50	M12	16	106	28	3	14	75	15
K0742.105012X100	B	50	M12	16	131	28	3	14	100	15
K0742.105012X125	B	50	M12	16	156	28	3	14	125	15
K0742.105014X25	B	50	M14	16	56	28	3	14	25	15
K0742.105014X50	B	50	M14	16	81	28	3	14	50	15
K0742.105014X75	B	50	M14	16	106	28	3	14	75	15
K0742.105014X100	B	50	M14	16	131	28	3	14	100	15
K0742.105014X125	B	50	M14	16	156	28	3	14	125	15
K0742.106514X50	B	65	M14	17	83	30	3	14	50	20
K0742.106514X75	B	65	M14	17	108	30	3	14	75	20
K0742.106514X100	B	65	M14	17	133	30	3	14	100	20
K0742.106514X125	B	65	M14	17	158	30	3	14	125	20
K0742.106514X150	B	65	M14	17	183	30	3	14	150	20
K0742.106516X50	B	65	M16	17	83	30	3	16	50	20

## Swivel feet steel, Form B

## Overview of items

Order No.	Form	D	D1	H	H1	H2	S	SW	L	Load rating max. kN (static load only)
K0742.106516X75	B	65	M16	17	108	30	3	16	75	20
K0742.106516X100	B	65	M16	17	133	30	3	16	100	20
K0742.106516X125	B	65	M16	17	158	30	3	16	125	20
K0742.106516X150	B	65	M16	17	183	30	3	16	150	20
K0742.106516X175	B	65	M16	17	208	30	3	16	175	20
K0742.108016X50	B	80	M16	19,5	86	33	3	16	50	30
K0742.108016X75	B	80	M16	19,5	111	33	3	16	75	30
K0742.108016X100	B	80	M16	19,5	136	33	3	16	100	30
K0742.108016X125	B	80	M16	19,5	161	33	3	16	125	30
K0742.108016X150	B	80	M16	19,5	186	33	3	16	150	30
K0742.108016X175	B	80	M16	19,5	211	33	3	16	175	30
K0742.108016X200	B	80	M16	19,5	236	33	3	16	200	30
K0742.108020X75	B	80	M20	19,5	114	36	3	17	75	30
K0742.108020X100	B	80	M20	19,5	139	36	3	17	100	30
K0742.108020X125	B	80	M20	19,5	164	36	3	17	125	30
K0742.108020X150	B	80	M20	19,5	189	36	3	17	150	30
K0742.108020X175	B	80	M20	19,5	214	36	3	17	175	30
K0742.108020X200	B	80	M20	19,5	239	36	3	17	200	30
K0742.110016X50	B	100	M16	20	96	43	3	20	50	35
K0742.110016X75	B	100	M16	20	121	43	3	20	75	35
K0742.110016X100	B	100	M16	20	146	43	3	20	100	35
K0742.110016X125	B	100	M16	20	171	43	3	20	125	35
K0742.110016X150	B	100	M16	20	196	43	3	20	150	35
K0742.110016X175	B	100	M16	20	221	43	3	20	175	35
K0742.110016X200	B	100	M16	20	246	43	3	20	200	35
K0742.110020X75	B	100	M20	20	121	43	3	20	75	45
K0742.110020X100	B	100	M20	20	146	43	3	20	100	45
K0742.110020X125	B	100	M20	20	171	43	3	20	125	45
K0742.110020X150	B	100	M20	20	196	43	3	20	150	45
K0742.110020X175	B	100	M20	20	221	43	3	20	175	45
K0742.110020X200	B	100	M20	20	246	43	3	20	200	45
K0742.110024X75	B	100	M24	20	122	44	3	20	75	55
K0742.110024X100	B	100	M24	20	147	44	3	20	100	55
K0742.110024X125	B	100	M24	20	172	44	3	20	125	55
K0742.110024X150	B	100	M24	20	197	44	3	20	150	55
K0742.110024X175	B	100	M24	20	222	44	3	20	175	55
K0742.110024X200	B	100	M24	20	247	44	3	20	200	55