

Crank handles stainless steel, revolving grip, reamed hole

Item description/product images



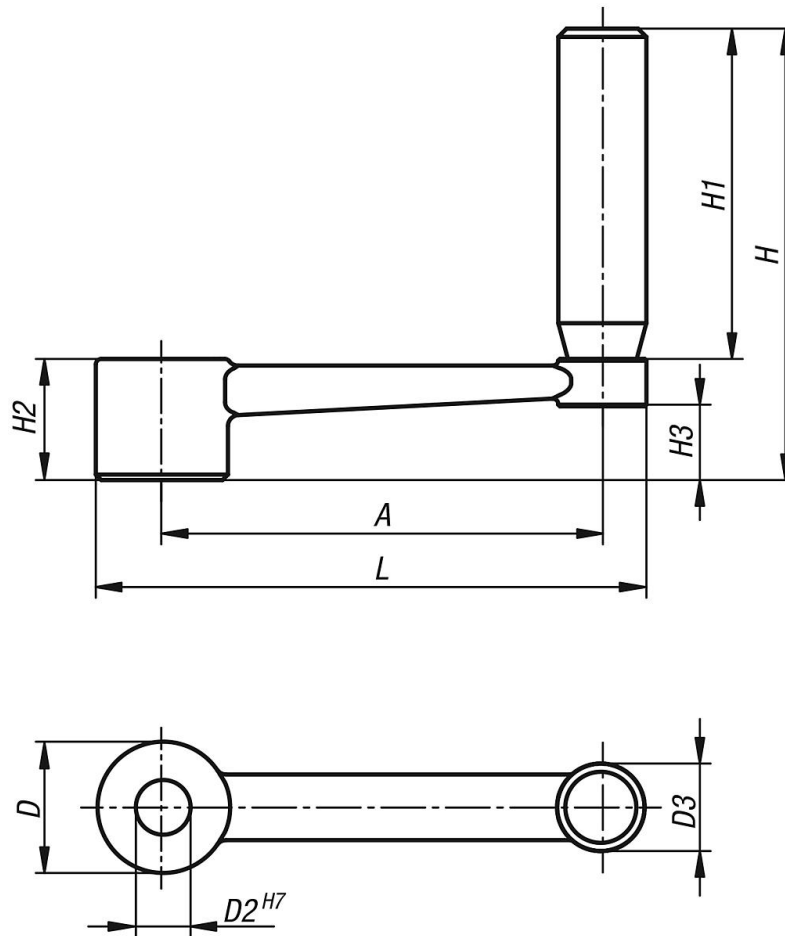
Description

Version:
Bright.

Note:
Similar to DIN 469.

Crank handles stainless steel, revolving grip, reamed hole

Drawings



Overview of items

Order No.	Version 1	Version 2	A	D	D2	D3	D7	H	H1	H2	H3	H4	L
K0999.3110	reamed hole	without transverse hole	80	24	10	16	-	82	60	22	13,4	-	100
K0999.3212	reamed hole	without transverse hole	100	28	12	20	-	98	72	26	16	-	124
K0999.3314	reamed hole	without transverse hole	125	30	14	26	-	118	90	28	15,8	-	153
K0999.3417	reamed hole	without transverse hole	160	34	17	26	-	122	90	32	19,6	-	190