

Grippers and inserts round, with counterbore

Item description/product images



Description

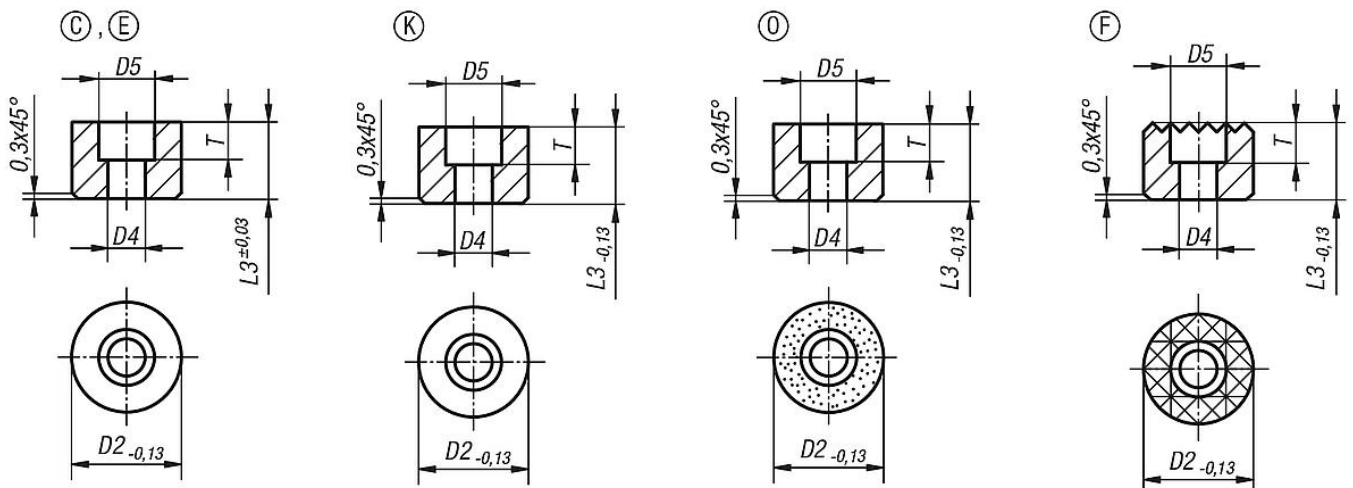
Material:

Form C, F tool steel
 Form E, O stainless steel
 Form K POM

Version:

Form C, F hardened and black oxidised.
 Form E, hardened, bright.
 Form K white.
 Form O with diamond impregnated surface comparable to 100 grade abrasive grit.

Drawings



Overview of items

Round inserts

Order No. Form C	Order No. Form O	Order No. Form K	Order No. Form E	D2	D4	D5	L3	T
K0385.110108	K0385.110105	K0385.110109	K0385.110102	10	3,4	6	10	5
K0385.110128	K0385.110125	K0385.110129	K0385.110122	10	3,4	6	12	5
-	K0385.112105	-	-	12	4,5	8	10	5,6
-	K0385.112125	-	-	12	4,5	8	12	5,6
K0385.112108	-	K0385.112109	K0385.112102	12	4,5	9	10	5,6
K0385.112128	-	K0385.112129	K0385.112122	12	4,5	9	12	5,6
K0385.116108	K0385.116105	K0385.116109	K0385.116102	16	5,5	11	10	6,6
K0385.116128	K0385.116125	K0385.116129	K0385.116122	16	5,5	11	12	6,6
K0385.120108	K0385.120105	K0385.120109	K0385.120102	20	6,6	11	10	7,6
K0385.120128	K0385.120125	K0385.120129	K0385.120122	20	6,6	11	12	7,6
K0385.125108	K0385.125105	K0385.125109	K0385.125102	25	6,6	11	10	7,6
K0385.125128	K0385.125125	K0385.125129	K0385.125122	25	6,6	11	12	7,6

Round grippers

Order No. Form F	D2	D4	D5	L3	T
K0385.11210	12	4,5	8	10	5,6
K0385.11212	12	4,5	8	12	5,6

Grippers and inserts round, with counterbore

Overview of items

Order No. Form F	D2	D4	D5	L3	T
K0385.11610	16	4,5	8	10	5,6
K0385.11612	16	4,5	8	12	5,6
K0385.12010	20	5,5	10	10	6,6
K0385.12012	20	5,5	10	12	6,6
K0385.12510	25	6,6	11	10	7,6
K0385.12512	25	6,6	11	12	7,6