

## Levelling feet plates with rubber base steel or stainless steel

### Item description/product images

---



### Description

**Material:**

Plate steel or stainless steel 1.4301.

Rubber base NBR, Shore 70A.

**Version:**

Steel chromed.

Stainless steel polished.

**Note for ordering:**

If the levelling foot plate and the threaded spindle are to be supplied assembled, please add the suffix "assembled" to the order number for the plate and spindle (e.g. K0673.10801 and K0669.080501 assembled).

**Note:**

Levelling feet consist of a plate and a threaded spindle. Any plate can be combined with any threaded spindle.

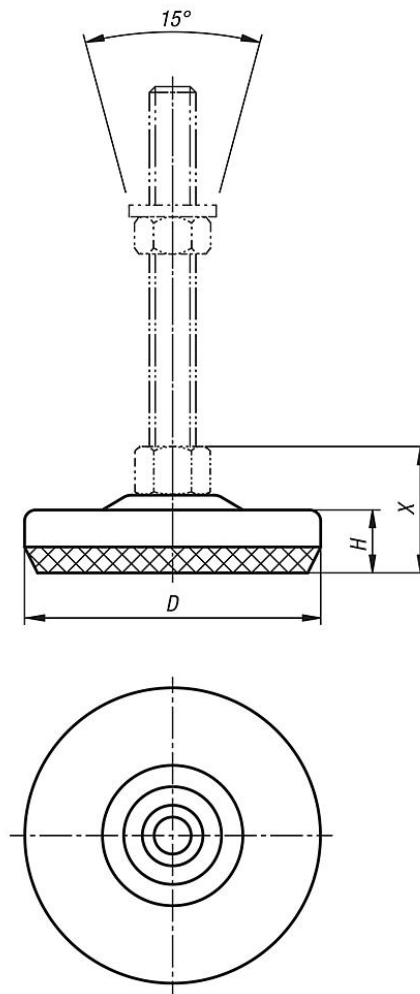
For matching threaded spindles see K0669.

**Drawing reference:**

1) X with spindle size:

**Levelling feet plates with rubber base steel or stainless steel**

**Drawings**



D = 80 :

- ①
- M8/M10 = 37 mm
- M12 = 38 mm
- M16 = 42 mm
- M20 = 45 mm

D = 100 :

- ①
- M8/M10 = 39 mm
- M12 = 40 mm
- M16 = 44 mm
- M20 = 47 mm

**Overview of items**

**Levelling feet plates with rubber base steel or stainless steel**

Order No.	Main material	D	H	Load rating max. kN
K0673.10801	steel	80	17	8,5
K0673.11001	steel	100	19	20
K0673.10802	stainless steel	80	17	8,5
K0673.11002	stainless steel	100	19	20

