

## Ball joints, DIN 71802, Form CS

### Item description/product images



### Description

#### Material:

Steel or 1.4305 stainless steel.

#### Version:

Trivalent passivated.

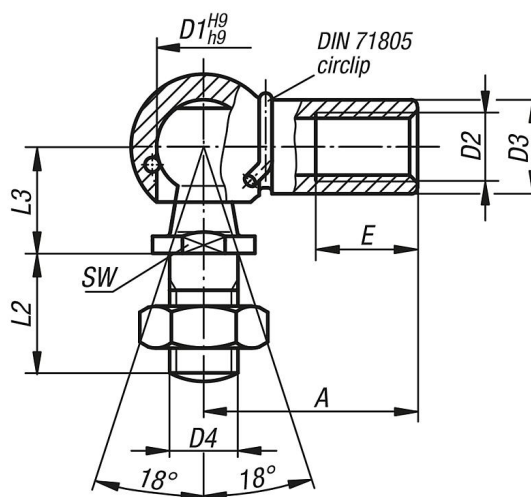
Stainless steel version bright.

#### Note:

With snap ring.

### Drawings

Form CS  
with circlip



### Overview of items

Order No.	Form	Version 2	Main material	D1	D2	D3	D4	A	L2	L3	E	SW
K0734.080351	CS	RH thread	steel	8	M3,5	8	M4	18	10,2	9	8	7
K0734.08051	CS	RH thread	steel	8	M5	8	M5	22	10,2	9	10,2	7
K0734.10061	CS	RH thread	steel	10	M6	10	M6	25	12,5	11	11,5	8
K0734.13081	CS	RH thread	steel	13	M8	13	M8	30	16,5	13	14	11
K0734.16101	CS	RH thread	steel	16	M10	16	M10	35	20	16	15,5	13
K0734.16121	CS	RH thread	steel	16	M12	16	M12	35	20	16	15,5	13
K0734.19141	CS	RH thread	steel	19	M14x1,5	22	M14x1,5	45	28	20	21,5	16
K0734.19161	CS	RH thread	steel	19	M16	22	M16	45	28	20	21,5	16
K0734.080511	CS	LH thread	steel	8	M5	8	M5	22	10,2	9	10,2	7
K0734.100611	CS	LH thread	steel	10	M6	10	M6	25	12,5	11	11,5	8
K0734.130811	CS	LH thread	steel	13	M8	13	M8	30	16,5	13	14	11
K0734.161011	CS	LH thread	steel	16	M10	16	M10	35	20	16	15,5	13
K0734.161211	CS	LH thread	steel	16	M12	16	M12	35	20	16	15,5	13
K0734.191411	CS	LH thread	steel	19	M14x1,5	22	M14x1,5	45	28	20	21,5	16
K0734.191611	CS	LH thread	steel	19	M16	22	M16	45	28	20	21,5	16
K0734.08052	CS	RH thread	stainless steel	8	M5	8	M5	22	10,2	9	10,2	7
K0734.10062	CS	RH thread	stainless steel	10	M6	10	M6	25	12,5	11	11,5	8
K0734.13082	CS	RH thread	stainless steel	13	M8	13	M8	30	16,5	13	14	11
K0734.16102	CS	RH thread	stainless steel	16	M10	16	M10	35	20	16	15,5	13
K0734.16122	CS	RH thread	stainless steel	16	M12	16	M12	35	20	16	15,5	13
K0734.080521	CS	LH thread	stainless steel	8	M5	8	M5	22	10,2	9	10,2	7
K0734.100621	CS	LH thread	stainless steel	10	M6	10	M6	25	12,5	11	11,5	8

**Ball joints, DIN 71802, Form CS****Overview of items**

Order No.	Form	Version 2	Main material	D1	D2	D3	D4	A	L2	L3	E	SW
<b>K0734.130821</b>	CS	LH thread	stainless steel	13	M8	13	M8	30	16,5	13	14	11
<b>K0734.161021</b>	CS	LH thread	stainless steel	16	M10	16	M10	35	20	16	15,5	13
<b>K0734.161221</b>	CS	LH thread	stainless steel	16	M12	16	M12	35	20	16	15,5	13