

Grey cast iron palm grips, plastic coated conforms to DIN 6335, form E

Item description/product images



Description

Material:

Grey cast iron GJL 200.

Version:

Plastic coated.

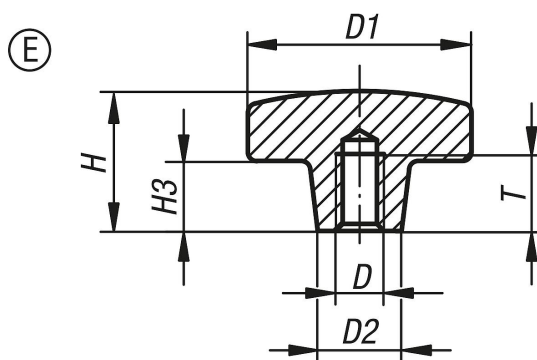
Note:

Available colours:

Pure orange RAL 2004.

Jet black RAL 9005.

Drawings



Overview of items

Order No.	Form	Main colour	D	D1	D2	H	H3	T
K0682.308	E	orange	M8	40	14	26	14	15
K0682.310	E	orange	M10	50	18	34	20	18
K0682.312	E	orange	M12	63	20	42	25	22
K0682.316	E	orange	M16	80	25	52	30	28
K0682.408	E	black	M8	40	14	26	14	15
K0682.410	E	black	M10	50	18	34	20	18
K0682.412	E	black	M12	63	20	42	25	22
K0682.416	E	black	M16	80	25	52	30	28