

Axial joints similar to DIN 71802

Item description/product images



Description

Material:

Steel or 1.4305 stainless steel.

Stainless steel versions have Neoprene seals.

Version:

Trivalent passivated.

Stainless steel version bright.

Note:

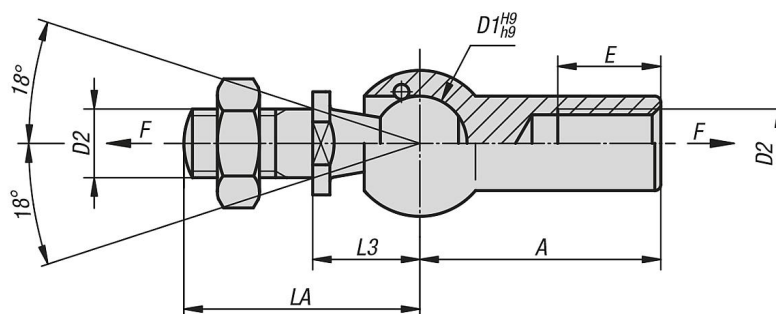
Protected against dust, dirt, water spray and vapour.

Applicable temperature range from -30 °C to +110 °C.

On request:

Axial joints with greater extraction force and left-hand thread available.

Drawings



Overview of items

Axial joints similar to DIN 71802

Order No.	Main material	D1	D2	A	LA	L3	E	Extraction force F N
K0715.08	steel	8	M5	22	19,2	9	10,2	30
K0715.10	steel	10	M6	25	23,5	11	11,5	40
K0715.13	steel	13	M8	30	29,5	13	14	60
K0715.16	steel	16	M10	35	36	16	15,5	80
K0715.19	steel	19	M14x1,5	45	48	20	21,5	100
K0715.108	stainless steel	8	M5	22	19,2	9	10,2	30
K0715.110	stainless steel	10	M6	25	23,5	11	11,5	40
K0715.113	stainless steel	13	M8	30	29,5	13	14	60
K0715.116	stainless steel	16	M10	35	36	16	15,5	80