

Toggle clamps vertical with safety interlock with straight foot and adjustable clamping spindle

Item description/product images



Description

Material:

Steel.
Grip polyamide.
Unlocking bracket TPE.

Version:

Carbonitrided and black oxidised.
Grip blue, black or red.

Note:

Maintenance-free high quality link bushings. Sustainable constant force during opening and closing. Optimum stability through the conical, U-profile clamping arm. Including internal bar lock with automatic safety catch.

On request:

Other grip colours.

Accessory:

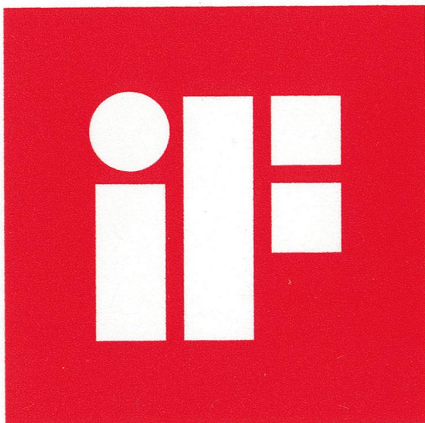
K0106
K0383
K0388
K0390
K0391
K0392
K0393

Drawing reference:

1) stop pin position 1
2) stop pin position 2

Toggle clamps vertical with safety interlock with straight foot and adjustable clamping spindle

Item description/product images



**product
design
award**



Toggle clamps vertical with safety interlock with straight foot and adjustable clamping spindle

Item description/product images

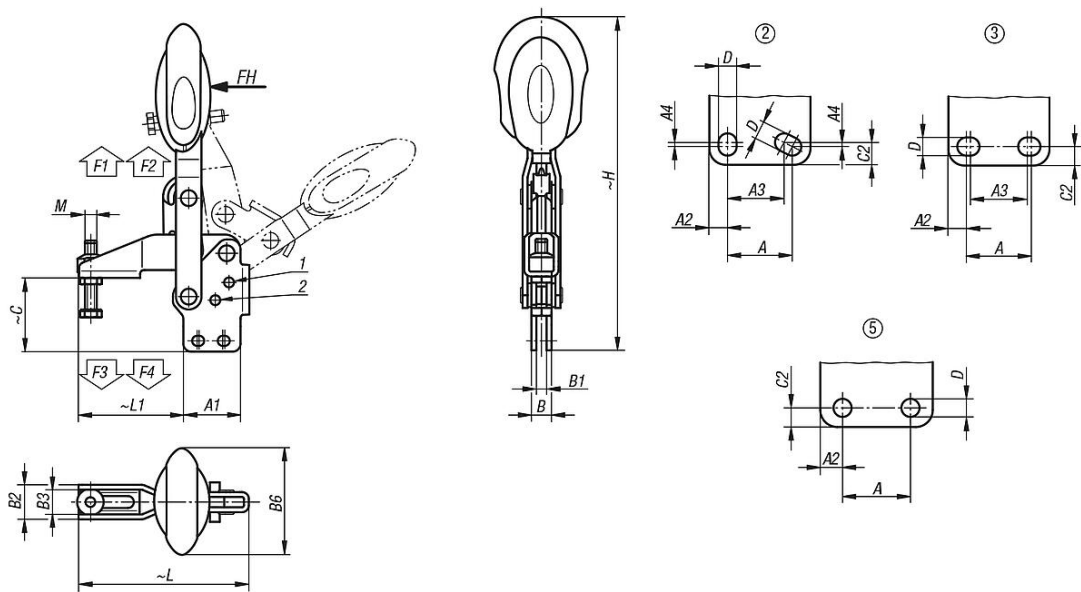


RAL 7021
 $\Delta = 0$

RAL 5002
 $\Delta = 1$

RAL 3020
 $\Delta = 3$

Drawings



Overview of items

Toggle clamps vertical with safety interlock, with straight foot and adjustable clamping spindle

Order No.	Component colour	Opening angle holding arm position 1	Opening angle holding arm position 2	Opening angle holding arm stop pin removed	Opening angle handle position 1	Opening angle handle position 2	Hand force FH N	Retaining force F1 N	Retaining force F2 N	Clamping force F3 N	Clamping force F4 N
K0663.006101	ultramarine RAL 5002	56°	83°	141°	46°	56°	160	1350	1650	920	1050
K0663.008101	ultramarine RAL 5002	13°	93°	158°	26°	61°	190	2000	2800	940	1350
K0663.010101	ultramarine RAL 5002	6°	97°	176°	19°	59°	250	2500	4500	1500	2800
K0663.012101	ultramarine RAL 5002	11°	88°	164°	24°	60°	280	3000	5500	1400	2800
K0663.006100	black grey RAL 7021	56°	83°	141°	46°	56°	160	1350	1650	920	1050
K0663.008100	black grey RAL 7021	13°	93°	158°	26°	61°	190	2000	2800	940	1350
K0663.010100	black grey RAL 7021	6°	97°	176°	19°	59°	250	2500	4500	1500	2800
K0663.012100	black grey RAL 7021	11°	88°	164°	24°	60°	280	3000	5500	1400	2800
K0663.006103	traffic red RAL 3020	56°	83°	141°	46°	56°	160	1350	1650	920	1050
K0663.008103	traffic red RAL 3020	13°	93°	158°	26°	61°	190	2000	2800	940	1350
K0663.010103	traffic red RAL 3020	6°	97°	176°	19°	59°	250	2500	4500	1500	2800
K0663.012103	traffic red RAL 3020	11°	88°	164°	24°	60°	280	3000	5500	1400	2800

Order No.	Component colour	hole arrangement	M	A	A1	A2	A3	A4	B	B1	B2	B3	B6	C	C2	D	H	L	L1
K0663.006101	ultramarine RAL 5002	3	M6x35	14	29	7	12	-	10,2	5,2	17,5	12,5	53,4	37,6	5,5	5,5	175,7	86,5	53
K0663.008101	ultramarine RAL 5002	3	M8x45	21	39	9	19	-	10,2	5,2	20,6	15,6	51,1	49	6,5	6,8	207,6	107	62

Toggle clamps vertical with safety interlock with straight foot and adjustable clamping spindle

Overview of items

Order No.	Component colour	hole arrangement	M	A	A1	A2	A3	A4	B	B1	B2	B3	B6	C	C2	D	H	L	L1
K0663.010101	ultramarine RAL 5002	2	M10x55	32	50	8	27	3,5	14,1	7,1	25,5	18,5	56,5	62,3	13	9	254	153	95
K0663.012101	ultramarine RAL 5002	5	M12x70	32	53	10,5	-	-	14,1	7,1	28	21	56,5	69,8	9	8,8	272,1	173,5	113,5
K0663.006100	black grey RAL 7021	3	M6x35	14	29	7	12	-	10,2	5,2	17,5	12,5	53,4	37,6	5,5	5,5	175,7	86,5	53
K0663.008100	black grey RAL 7021	3	M8x45	21	39	9	19	-	10,2	5,2	20,6	15,6	51,1	49	6,5	6,8	207,6	107	62
K0663.010100	black grey RAL 7021	2	M10x55	32	50	8	27	3,5	14,1	7,1	25,5	18,5	56,5	62,3	13	9	254	153	95
K0663.012100	black grey RAL 7021	5	M12x70	32	53	10,5	-	-	14,1	7,1	28	21	56,5	69,8	9	8,8	272,1	173,5	113,5
K0663.006103	traffic red RAL 3020	3	M6x35	14	29	7	12	-	10,2	5,2	17,5	12,5	53,4	37,6	5,5	5,5	175,7	86,5	53
K0663.008103	traffic red RAL 3020	3	M8x45	21	39	9	19	-	10,2	5,2	20,6	15,6	51,1	49	6,5	6,8	207,6	107	62
K0663.010103	traffic red RAL 3020	2	M10x55	32	50	8	27	3,5	14,1	7,1	25,5	18,5	56,5	62,3	13	9	254	153	95
K0663.012103	traffic red RAL 3020	5	M12x70	32	53	10,5	-	-	14,1	7,1	28	21	56,5	69,8	9	8,8	272,1	173,5	113,5