

## Pull handles, plastic, mounted from the rear

### Item description/product images



### Description

**Material:**

Thermoplastic PA (polyamide), glass-bead reinforced.  
Bush, steel or stainless steel.

**Version:**

Black grey

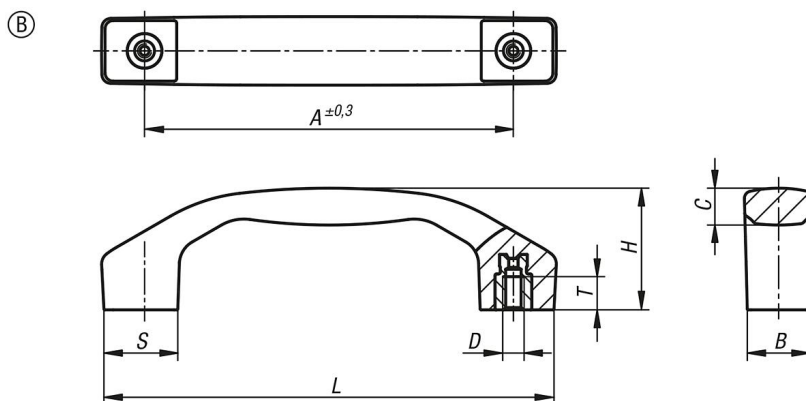
**Note:**

This pull handle is characterised by its large size and pleasant haptics.

**Assembly:**

Form B from the rear.

### Drawings



### Overview of items

Order No.	Form	Component material	A	B	C	D	H	L	S	T	Load capacity N
K1060.2100051	B	steel	100	17	9,5	M5	33	122	20	9	1000
K1060.2120061	B	steel	120	21	11,4	M6	39	146	24	12	1000
K1060.2140081	B	steel	140	24	14,2	M8	45	170	28	12	1000
K1060.2100052	B	stainless steel	100	17	9,5	M5	33	122	20	9	1000
K1060.2120062	B	stainless steel	120	21	11,4	M6	39	146	24	12	1000
K1060.2140082	B	stainless steel	140	24	14,2	M8	45	170	28	12	1000