

Hinges plastic, with adjustable friction

Item description/product images



Description

Material:

Hinge and caps, fibreglass reinforced PA thermoplastic.
Metal parts stainless steel.

Version:

Hinge and caps black.
Metal parts bright.

Note:

These friction hinges enable doors or lids to remain open in any position. A set screw allows the amount of friction to be infinitely adjusted between 0-5 Nm. The hinges are available with or without guide tabs for aluminium profile slots.

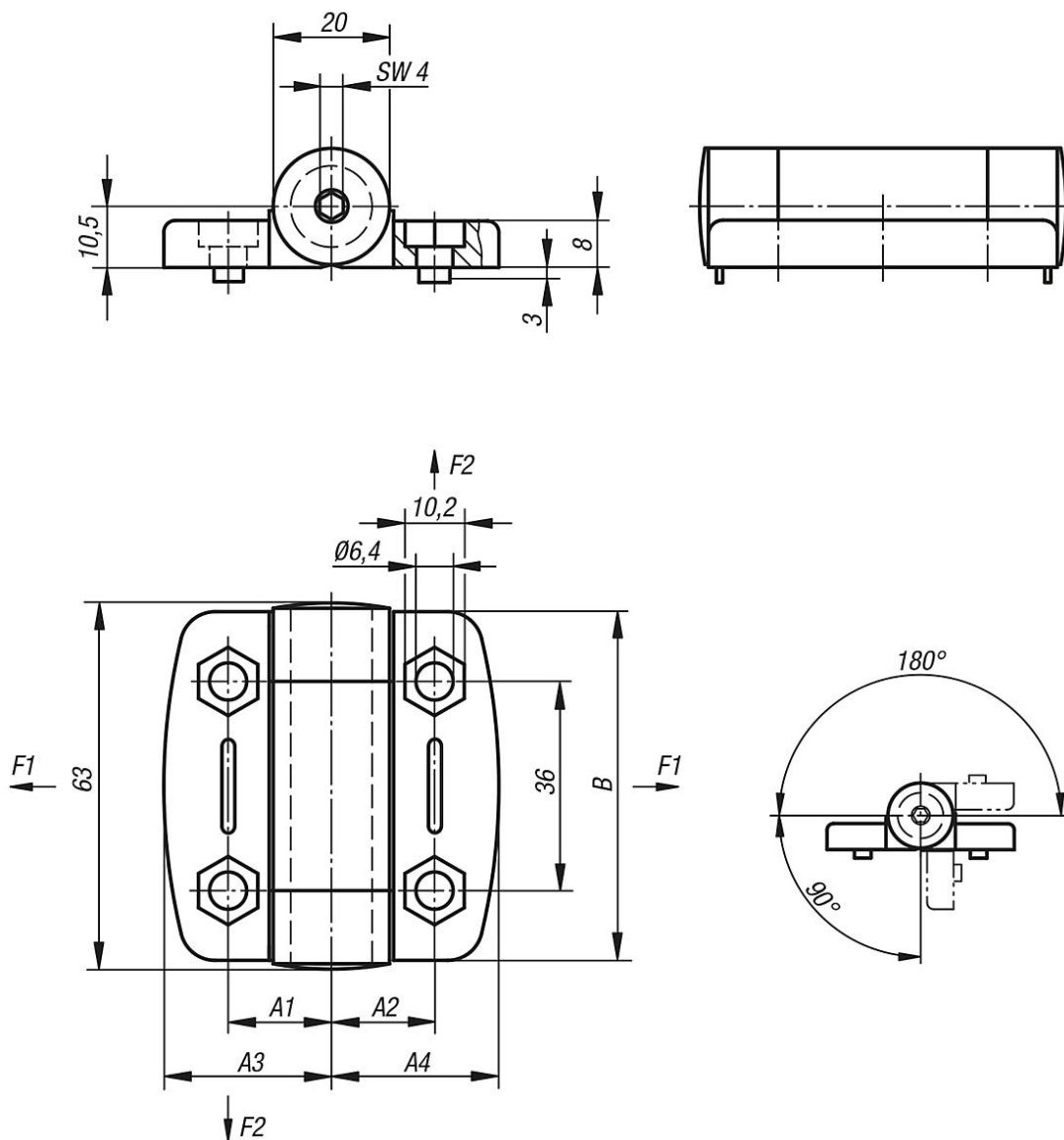
The loading values given for the hinges are non-binding reference values without consideration of safety factors and exclude any liability. The values given are for information purposes only and do not constitute a legally binding assurance of properties.

The load values have been determined under laboratory conditions. Each user must determine individually whether the hinge is suitable for the respective application.

Different materials onto which the hinges are installed and the type of mounting, weather conditions and wear can influence the determined values.

Hinges plastic, with adjustable friction

Drawings



Overview of items

Hinges plastic, with adjustable friction

Order No.	A	A1	A2	A3	A4	B	Guide tabs for slot	F1 N	F2 N
K0440.56181800	54	17,75	17,75	27	27	56	-	400	325
K0440.56181806	54	17,75	17,75	27	27	56	6	400	325
K0440.56181808	54	17,75	17,75	27	27	56	8	400	325
K0440.56232300	73,5	22,75	22,75	36,75	36,75	56	-	600	425
K0440.56232308	73,5	22,75	22,75	36,75	36,75	56	8	600	425
K0440.56232310	73,5	22,75	22,75	36,75	36,75	56	10	600	425

