

## Clamping levers, plastic with internal thread and push button, threaded insert black oxidised steel

Item description/product images



### Description

#### Material:

Handle fibreglass reinforced plastic, toothed ring die-cast zinc.  
Steel parts grade 5.8.  
Push button plastic (POM).

#### Version:

Steel parts black oxidised.

#### Note:

The standard colours are:  
Black grey clamping lever, traffic red push button.  
Orange clamping lever, black grey push button.  
Traffic red clamping lever, black grey push button.

#### On request:

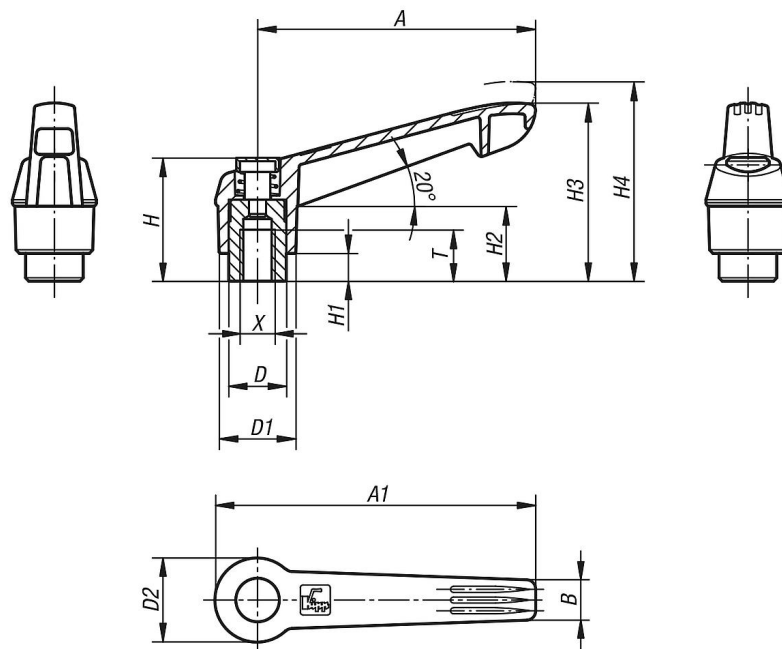
Other threads and special versions.  
Dimension "H1" available in other lengths at extra charge.

# Clamping levers, plastic with internal thread and push button, threaded insert black oxidised steel

Item description/product images



## Drawings



## Overview of items

### Clamping levers with push button, internal thread

Order No.	Main colour	Size	X	T	D	D1	D2	H	H1	H2	H3	H4	A	A1	B	No. of teeth
K0269.71104	black grey RAL 7021	1	M4	9	10	13	14,5	25,5	4	15	30	33,5	40	47	7,5	16
K0269.72104	orange RAL 2004	1	M4	9	10	13	14,5	25,5	4	15	30	33,5	40	47	7,5	16
K0269.73104	traffic red RAL 3020	1	M4	9	10	13	14,5	25,5	4	15	30	33,5	40	47	7,5	16
K0269.71105	black grey RAL 7021	1	M5	9	10	13	14,5	25,5	4	15	30	33,5	40	47	7,5	16
K0269.72105	orange RAL 2004	1	M5	9	10	13	14,5	25,5	4	15	30	33,5	40	47	7,5	16

# Clamping levers, plastic with internal thread and push button, threaded insert black oxidised steel

## Overview of items

Order No.	Main colour	Size	X	T	D	D1	D2	H	H1	H2	H3	H4	A	A1	B	No. of teeth
K0269.73105	traffic red RAL 3020	1	M5	9	10	13	14,5	25,5	4	15	30	33,5	40	47	7,5	16
K0269.71106	black grey RAL 7021	1	M6	9	10	13	14,5	25,5	4	15	30	33,5	40	47	7,5	16
K0269.72106	orange RAL 2004	1	M6	9	10	13	14,5	25,5	4	15	30	33,5	40	47	7,5	16
K0269.73106	traffic red RAL 3020	1	M6	9	10	13	14,5	25,5	4	15	30	33,5	40	47	7,5	16
K0269.71206	black grey RAL 7021	2	M6	12	13,5	18	19,5	29,5	6,5	17,5	41,5	45,5	65	75	9,5	20
K0269.72206	orange RAL 2004	2	M6	12	13,5	18	19,5	29,5	6,5	17,5	41,5	45,5	65	75	9,5	20
K0269.73206	traffic red RAL 3020	2	M6	12	13,5	18	19,5	29,5	6,5	17,5	41,5	45,5	65	75	9,5	20
K0269.71208	black grey RAL 7021	2	M8	12	13,5	18	19,5	29,5	6,5	17,5	41,5	45,5	65	75	9,5	20
K0269.72208	orange RAL 2004	2	M8	12	13,5	18	19,5	29,5	6,5	17,5	41,5	45,5	65	75	9,5	20
K0269.73208	traffic red RAL 3020	2	M8	12	13,5	18	19,5	29,5	6,5	17,5	41,5	45,5	65	75	9,5	20
K0269.71308	black grey RAL 7021	3	M8	14	16	21,5	23	38,5	10	24	53,5	58	80	91,5	11	22
K0269.72308	orange RAL 2004	3	M8	14	16	21,5	23	38,5	10	24	53,5	58	80	91,5	11	22
K0269.73308	traffic red RAL 3020	3	M8	14	16	21,5	23	38,5	10	24	53,5	58	80	91,5	11	22
K0269.71310	black grey RAL 7021	3	M10	14	16	21,5	23	38,5	10	24	53,5	58	80	91,5	11	22
K0269.72310	orange RAL 2004	3	M10	14	16	21,5	23	38,5	10	24	53,5	58	80	91,5	11	22
K0269.73310	traffic red RAL 3020	3	M10	14	16	21,5	23	38,5	10	24	53,5	58	80	91,5	11	22
K0269.71410	black grey RAL 7021	4	M10	17	19	25,5	27,5	44,6	10	26	61	66	95	109	13	24
K0269.72410	orange RAL 2004	4	M10	17	19	25,5	27,5	44,6	10	26	61	66	95	109	13	24
K0269.73410	traffic red RAL 3020	4	M10	17	19	25,5	27,5	44,6	10	26	61	66	95	109	13	24
K0269.71412	black grey RAL 7021	4	M12	17	19	25,5	27,5	44,6	10	26	61	66	95	109	13	24
K0269.72412	orange RAL 2004	4	M12	17	19	25,5	27,5	44,6	10	26	61	66	95	109	13	24
K0269.73412	traffic red RAL 3020	4	M12	17	19	25,5	27,5	44,6	10	26	61	66	95	109	13	24
K0269.71512	black grey RAL 7021	5	M12	23	23	30	32,5	50,6	12	33	72	77	110	126	15,5	26
K0269.72512	orange RAL 2004	5	M12	23	23	30	32,5	50,6	12	33	72	77	110	126	15,5	26
K0269.73512	traffic red RAL 3020	5	M12	23	23	30	32,5	50,6	12	33	72	77	110	126	15,5	26
K0269.71516	black grey RAL 7021	5	M16	23	23	30	32,5	50,6	12	33	72	77	110	126	15,5	26
K0269.72516	orange RAL 2004	5	M16	23	23	30	32,5	50,6	12	33	72	77	110	126	15,5	26
K0269.73516	traffic red RAL 3020	5	M16	23	23	30	32,5	50,6	12	33	72	77	110	126	15,5	26