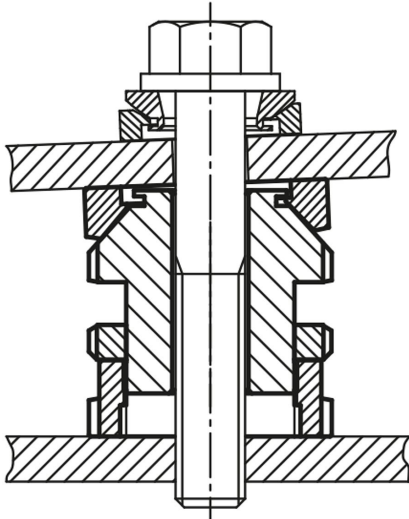


Levelling sets spherical washer with locknut

Item description/product images



Description

Version:

Standard version trivalent blue passivated.

Stainless steel version bright.

Note:

The spherical washer levelling set with locknut is used to mount and align motors, aggregates, drive units and production lines. The spherical washer permits exact alignment when mounting on sloping surfaces of up to 4°. The locknut secures a prescribed setting.

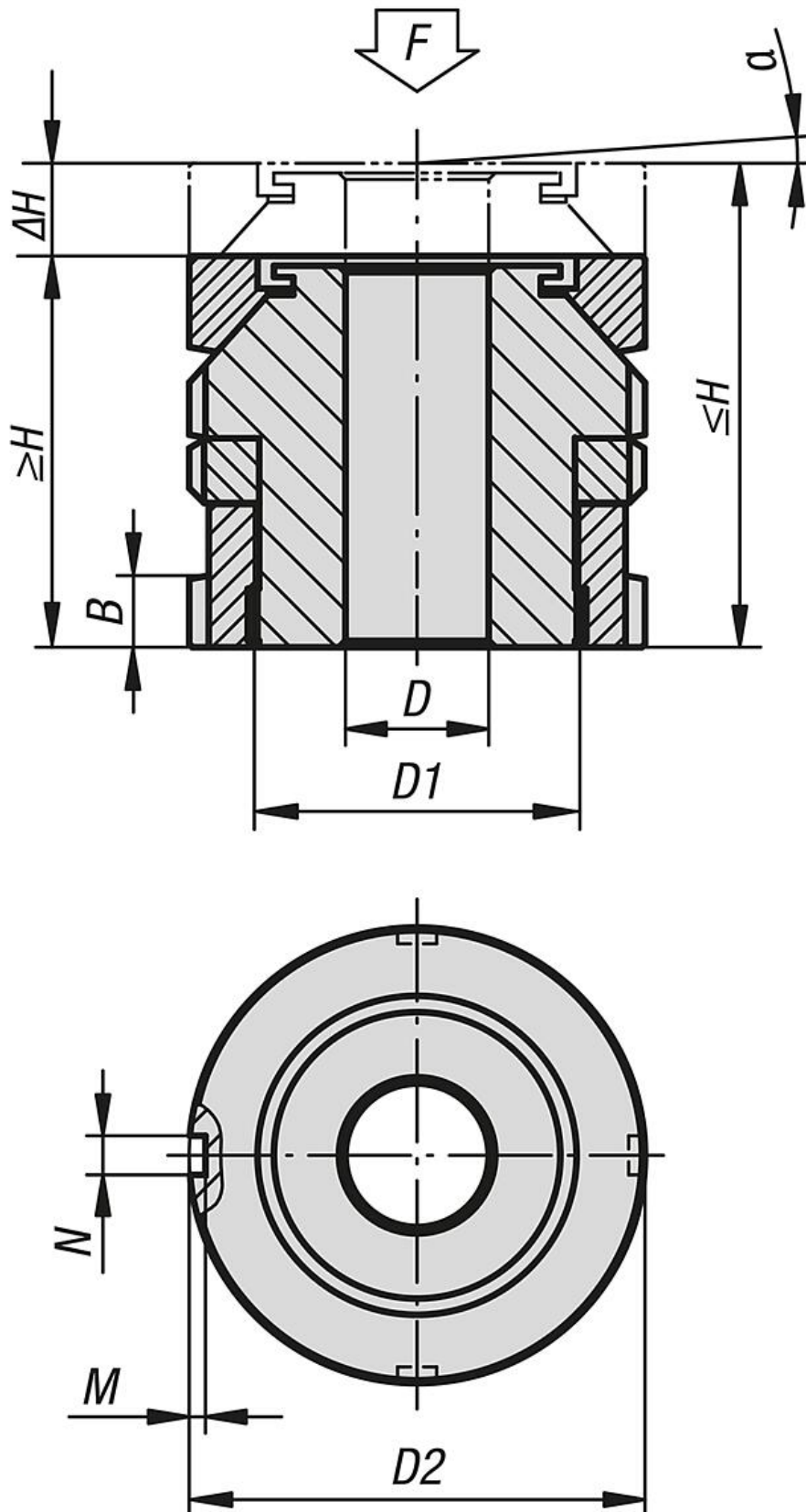
The static additional load F_1 is effective after deducting the tensioning force (screw $8.8, \mu m = 0.125$) from the total load F .

Accessory:

Spherical levelling washers K0691

Levelling sets spherical washer with locknut

Drawings



Levelling sets spherical washer with locknut

Overview of items

Levelling sets spherical washer with locknut

| Order No. | Main material | D | for screw | D1 | D2 | H min. | H max. | ΔH | N | M | α | F kN | F1 kN |
|-------------|-------------------|------|-----------|---------|----|--------|--------|----|---|-----|----|------|--------|
| K0115.0406 | high carbon steel | 6,6 | M6 | M15x1 | 25 | 27 | 31 | 4 | 4 | 2 | 4° | 40 | 36 |
| K0115.0506 | high carbon steel | 6,6 | M6 | M20x1 | 32 | 32 | 37 | 5 | 4 | 2 | 4° | 65 | 55,7 |
| K0115.0508 | high carbon steel | 9 | M8 | M20x1 | 32 | 32 | 37 | 5 | 4 | 2 | 4° | 65 | 48 |
| K0115.0510 | high carbon steel | 11 | M10 | M20x1 | 32 | 32 | 37 | 5 | 4 | 2 | 4° | 65 | 37,9 |
| K0115.0710 | high carbon steel | 11 | M10 | M30x1,5 | 45 | 41 | 48 | 7 | 5 | 2 | 4° | 120 | 92,9 |
| K0115.0712 | high carbon steel | 13,5 | M12 | M30x1,5 | 45 | 41 | 48 | 7 | 5 | 2 | 4° | 120 | 80,4 |
| K0115.0716 | high carbon steel | 17,5 | M16 | M30x1,5 | 45 | 41 | 48 | 7 | 5 | 2 | 4° | 120 | 45,5 |
| K0115.0916 | high carbon steel | 17,5 | M16 | M40x1,5 | 58 | 53 | 62 | 9 | 6 | 2,5 | 4° | 210 | 136 |
| K0115.0920 | high carbon steel | 22 | M20 | M40x1,5 | 58 | 53 | 62 | 9 | 6 | 2,5 | 4° | 210 | 90 |
| K0115.0924 | high carbon steel | 26 | M24 | M40x1,5 | 58 | 53 | 62 | 9 | 6 | 2,5 | 4° | 210 | 37 |
| K0115.1020 | high carbon steel | 22 | M20 | M50x1,5 | 70 | 61 | 71 | 10 | 6 | 2,5 | 4° | 330 | 210 |
| K0115.1024 | high carbon steel | 26 | M24 | M50x1,5 | 70 | 61 | 71 | 10 | 6 | 2,5 | 4° | 330 | 157 |
| K0115.1030 | high carbon steel | 33 | M30 | M50x1,5 | 70 | 61 | 71 | 10 | 6 | 2,5 | 4° | 330 | 53 |
| K0115.1224 | high carbon steel | 26 | M24 | M60x2 | 80 | 67 | 79 | 12 | 7 | 3 | 4° | 495 | 322 |
| K0115.1230 | high carbon steel | 33 | M30 | M60x2 | 80 | 67 | 79 | 12 | 7 | 3 | 4° | 495 | 218 |
| K0115.04061 | stainless steel | 6,6 | M6 | M15x1 | 25 | 27 | 31 | 4 | 4 | 2 | 4° | 27,1 | 24,14 |
| K0115.05061 | stainless steel | 6,6 | M6 | M20x1 | 32 | 32 | 37 | 5 | 4 | 2 | 4° | 43,4 | 36,56 |
| K0115.05081 | stainless steel | 9 | M8 | M20x1 | 32 | 32 | 37 | 5 | 4 | 2 | 4° | 43,4 | 30,86 |
| K0115.05101 | stainless steel | 11 | M10 | M20x1 | 32 | 32 | 37 | 5 | 4 | 2 | 4° | 43,4 | 23,41 |
| K0115.07101 | stainless steel | 11 | M10 | M30x1,5 | 45 | 41 | 48 | 7 | 5 | 2 | 4° | 84 | 64,01 |
| K0115.07121 | stainless steel | 13,5 | M12 | M30x1,5 | 45 | 41 | 48 | 7 | 5 | 2 | 4° | 84 | 54,82 |
| K0115.07161 | stainless steel | 17,5 | M16 | M30x1,5 | 45 | 41 | 48 | 7 | 5 | 2 | 4° | 84 | 28,9 |
| K0115.09161 | stainless steel | 17,5 | M16 | M40x1,5 | 58 | 53 | 62 | 9 | 6 | 2,5 | 4° | 148 | 92,9 |
| K0115.09201 | stainless steel | 22 | M20 | M40x1,5 | 58 | 53 | 62 | 9 | 6 | 2,5 | 4° | 148 | 59,08 |
| K0115.09241 | stainless steel | 26 | M24 | M40x1,5 | 58 | 53 | 62 | 9 | 6 | 2,5 | 4° | 148 | 20,3 |
| K0115.10201 | stainless steel | 22 | M20 | M50x1,5 | 70 | 61 | 71 | 10 | 6 | 2,5 | 4° | 225 | 136,08 |
| K0115.10241 | stainless steel | 26 | M24 | M50x1,5 | 70 | 61 | 71 | 10 | 6 | 2,5 | 4° | 225 | 97,3 |
| K0115.10301 | stainless steel | 33 | M30 | M50x1,5 | 70 | 61 | 71 | 10 | 6 | 2,5 | 4° | 225 | 20,6 |
| K0115.12241 | stainless steel | 26 | M24 | M60x2 | 80 | 67 | 79 | 12 | 7 | 3 | 4° | 323 | 195,3 |
| K0115.12301 | stainless steel | 33 | M30 | M60x2 | 80 | 67 | 79 | 12 | 7 | 3 | 4° | 323 | 118,6 |