

Swivel feet, Form C and D

Item description/product images



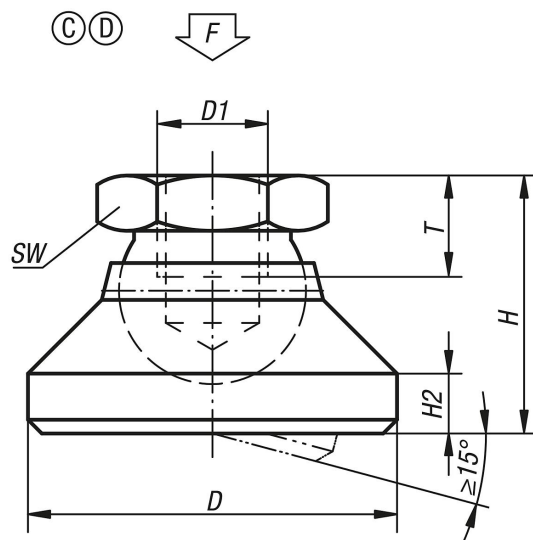
Description

Material, version:

Form C: Foot POM, ball element case-hardened steel, black oxidised.

Form D: Foot POM, ball element stainless steel, bright.

Drawings



Overview of items

Order No.	Form	D	D1	H	H2	T	SW	Load rating max. kN
K0395.506	C	20	M6	15	2,5	8,5	10	4
K0395.508	C	25	M8	18	4	9	13	7

Swivel feet, Form C and D

Overview of items

Order No.	Form	D	D1	H	H2	T	SW	Load rating max. kN
K0395.510	C	32	M10	22	5	10	17	10
K0395.512	C	40	M12	26	6	12	19	18
K0395.516	C	50	M16	32	7	14	24	20
K0395.520	C	60	M20	42	8	18	30	22
K0395.206	D	20	M6	15	2,5	8,5	10	4
K0395.208	D	25	M8	18	4	9	13	7
K0395.210	D	32	M10	22	5	10	17	10
K0395.212	D	40	M12	26	6	12	19	18
K0395.216	D	50	M16	32	7	14	24	20
K0395.220	D	60	M20	42	8	18	30	22