

Locating pins with flattened ball-end Form C

Item description/product images



Description

Material:

Tool steel or 1.4305 stainless steel.

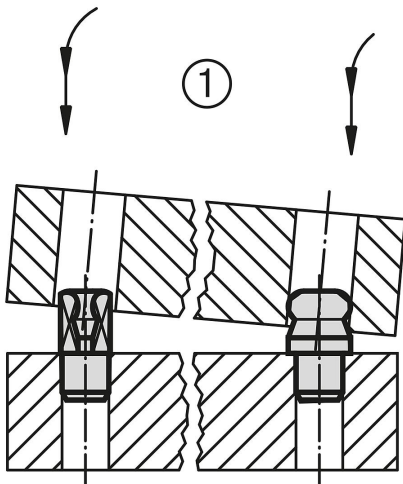
Version:

Steel hardened and ground.

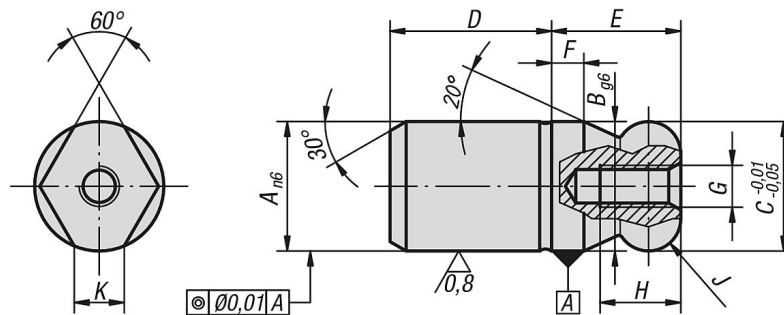
Stainless steel ground and kolsterised.

Note:

Ball end locating pins are specially designed to ease the locating process. The tendency to jam, caused by the locating hole not being at right angles to the pin or by the pushing force not being parallel to the pin axis, is minimized by the ball-end form (see illustration 1)



Drawings



Overview of items

Locating pins with flattened ball-end Form C

| Order No. | Main material | A | B | C | D | E | F | G | H | J | K |
|-----------|---------------|----|----|----|----|----|-----|------|-----|-------|-----|
| K0350.052 | tool steel | 5 | 5 | 5 | 6 | 5 | 2 | M2,5 | 4,5 | R 1 | 1,5 |
| K0350.062 | tool steel | 6 | 6 | 6 | 8 | 6 | 2 | M3 | 5 | R 1 | 1,8 |
| K0350.082 | tool steel | 8 | 8 | 8 | 10 | 8 | 2 | M3 | 6 | R 2 | 1,9 |
| K0350.102 | tool steel | 10 | 10 | 10 | 13 | 10 | 2,5 | M3 | 6 | R 2,5 | 2,5 |
| K0350.122 | tool steel | 12 | 12 | 12 | 15 | 12 | 3 | M4 | 8 | R 3 | 2,5 |
| K0350.142 | tool steel | 14 | 14 | 14 | 17 | 14 | 3,5 | M4 | 8 | R 3,5 | 3,9 |
| K0350.162 | tool steel | 16 | 16 | 16 | 20 | 16 | 4 | M5 | 10 | R 4 | 4,3 |
| K0350.202 | tool steel | 20 | 20 | 20 | 25 | 20 | 5 | M5 | 10 | R 5 | 5 |

Locating pins with flattened ball-end Form C

Overview of items

| Order No. | Main material | A | B | C | D | E | F | G | H | J | K |
|------------|-----------------|----|----|----|----|----|-----|------|-----|-------|------|
| K0350.252 | tool steel | 25 | 25 | 25 | 25 | 25 | 6 | M5 | 10 | R 6 | 5,6 |
| K0350.302 | tool steel | 30 | 30 | 30 | 30 | 30 | 8 | M6 | 12 | R 8 | 8,8 |
| K0350.402 | tool steel | 40 | 40 | 40 | 40 | 40 | 10 | M6 | 12 | R 10 | 12,8 |
| K0350.502 | tool steel | 50 | 50 | 50 | 50 | 50 | 12 | M6 | 12 | R 12 | 16,7 |
| K0350.5052 | stainless steel | 5 | 5 | 5 | 6 | 5 | 2 | M2,5 | 4,5 | R 1 | 1,5 |
| K0350.5062 | stainless steel | 6 | 6 | 6 | 8 | 6 | 2 | M3 | 5 | R 1 | 1,8 |
| K0350.5082 | stainless steel | 8 | 8 | 8 | 10 | 8 | 2 | M3 | 6 | R 2 | 1,9 |
| K0350.5102 | stainless steel | 10 | 10 | 10 | 13 | 10 | 2,5 | M3 | 6 | R 2,5 | 2,5 |
| K0350.5122 | stainless steel | 12 | 12 | 12 | 15 | 12 | 3 | M4 | 8 | R 3 | 2,5 |
| K0350.5142 | stainless steel | 14 | 14 | 14 | 17 | 14 | 3,5 | M4 | 8 | R 3,5 | 3,9 |
| K0350.5162 | stainless steel | 16 | 16 | 16 | 20 | 16 | 4 | M5 | 10 | R 4 | 4,3 |
| K0350.5202 | stainless steel | 20 | 20 | 20 | 25 | 20 | 5 | M5 | 10 | R 5 | 5 |