

## Recessed handles, plastic

### Item description/product images



### Description

#### Product description:

The ergonomic form of the recessed handle is ideally suited for appliances and housings.

It is installed by pressing in and clipping into the mounting opening.

#### Material:

Thermoplastic (ABS).

#### Version:

Black.

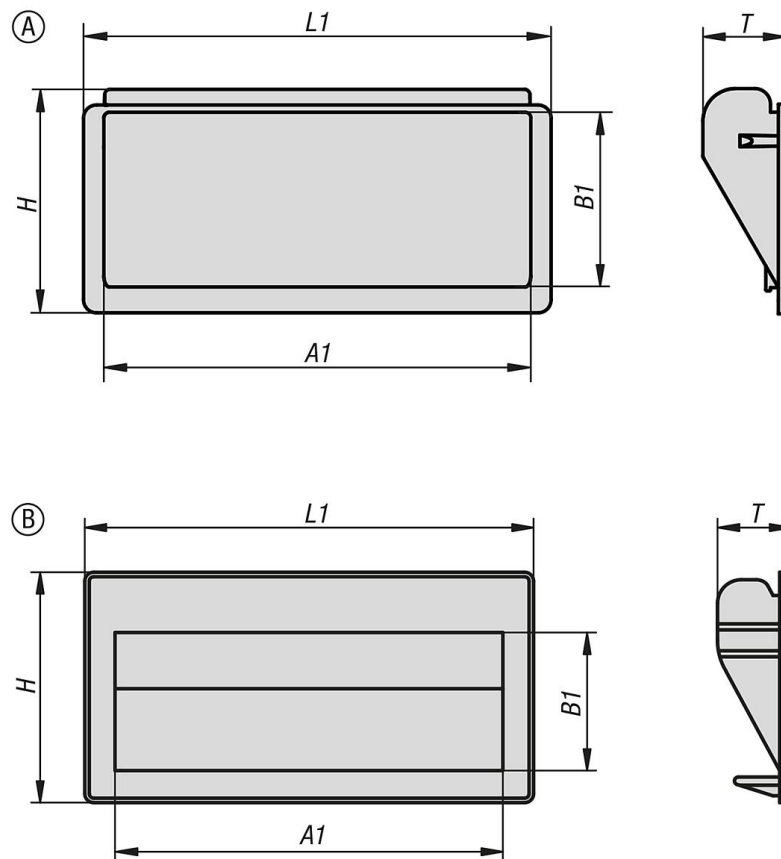
#### Note:

This handle can be used with a wall thickness of 0.75 to 1.5 mm.

The retaining force is 750 N per pair for steel and sheet steel housings.

K1077.1101 is supplied with spring clips for mounting on the inside wall of the housing.

### Drawings



### Overview of items

### Recessed handles

**Recessed handles, plastic****Overview of items**

Order No.	Form	Version 2	A1	B1	H	L1	T	Mounting cutout	Load capacity N
<b>K1077.0901</b>	A	plug-in	79	30	40	90	16	83 x 34	375
<b>K1077.1101</b>	B	plug-in	95	33,8	56,3	110	18	103 x 49	375