

Wing grips antibacterial internal thread, metal parts stainless steel

Item description/product images



Description

Material:

Thermoplastic, slate grey.

Bush and screw stainless steel 1.4305.

Version:

Bush and screw bright.

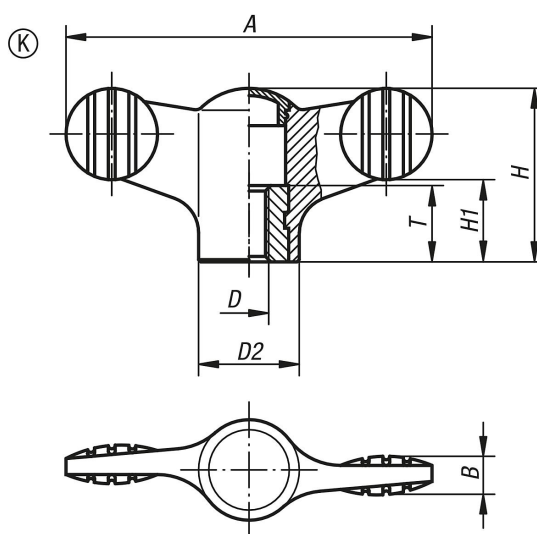
Advantages:

Resistant to humidity and cleaning products (during disinfection) with no toxic side effects.

Applications:

For installation on machines, equipment, plants and furnishings in areas with increased hygienic requirements (including hospitals, doctors' surgeries, rehabilitation centres and food production facilities), as well as for use in public areas or regularly frequented institutions (i.e. nursing homes or daycare centres).

Drawings



Overview of items

Wing grips antibacterial internal thread, metal parts stainless steel

Order No.	Form	D	A	B	D2	H	H1	T
K0274.120106144	K	M6	50	5	14	24	11,5	10