

## Five lobe grips with internal thread

### Item description/product images



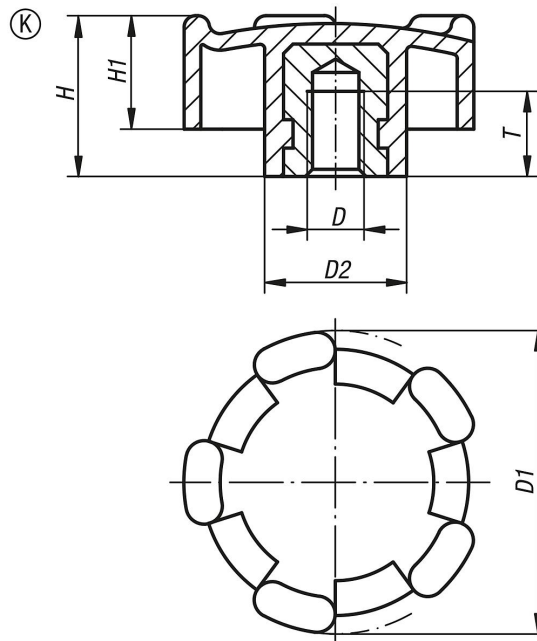
### Description

#### Material:

Thermoplastic, black grey.

Bushes electro zinc-plated steel.

### Drawings



### Overview of items

#### Five lobe grips with internal thread

Order No.	Form	D	D1	D2	H	H1	T
K0276.3206	K	M6	32	15	17	12	9
K0276.4008	K	M8	40	18	20,5	14,5	11
K0276.5010	K	M10	50	20	25	18	14