

Crank handles with fold-away grip, with keyway

Item description/product images



Description

Material:

Crank thermoplastic.
Cylinder grip thermoplastic and steel.

Version:

Black grey thermoplastic.
Steel parts black oxidised.

Note:

The hub cover is supplied unassembled.
The crank handles can be secured to the shaft by cross-pinning or by parallel key together with a DIN 6912 socket head screw and DIN 7349 washer.
Versions with transverse bore are secured using the ISO 4027 (DIN 914) grub screw.

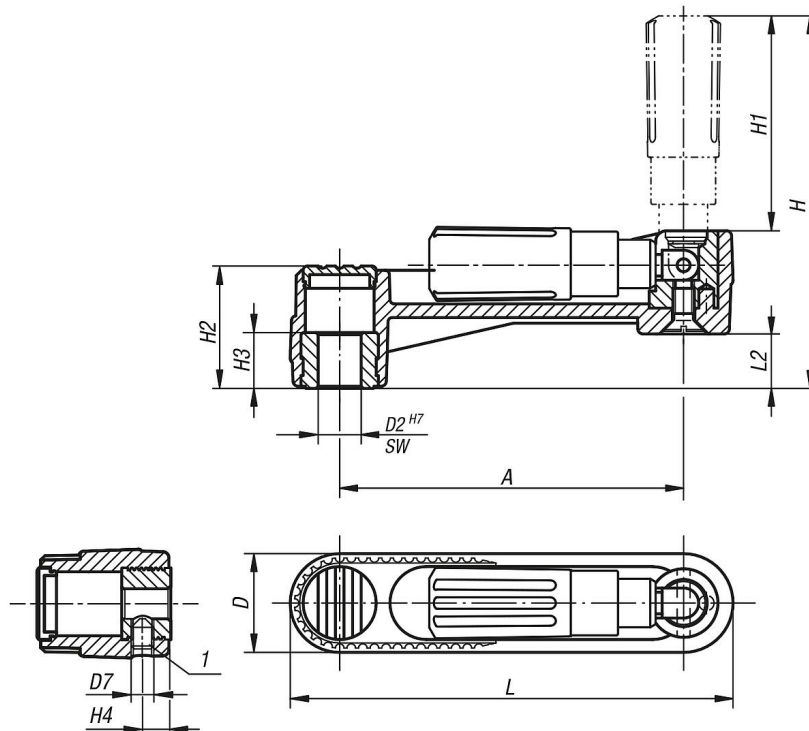
Accessory:

K1160 cap screws screws, low head DIN 6912.

Drawing reference:

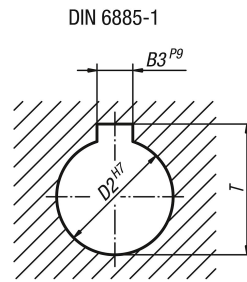
1) Position of the transverse bore to the keyway is offset by 90°.

Drawings



Crank handles with fold-away grip, with keyway

Drawings



Overview of items

Order No.	Version 1	Version 2	Component material	A	B3	D	D2	D7	H	H1	H2	H3	H4	L	L2	T
K0266.110802	reamed hole with slot	without transverse hole	steel	80	2	24	8	-	85,7	49	28,5	13	-	104	12,7	9
K0266.111003	reamed hole with slot	without transverse hole	steel	80	3	24	10	-	85,7	49	28,5	13	-	104	12,7	11,4
K0266.121003	reamed hole with slot	without transverse hole	steel	100	3	29	10	-	105,2	59,5	35,5	13	-	129	15,7	11,4
K0266.121204	reamed hole with slot	without transverse hole	steel	100	4	29	12	-	105,2	59,5	35,5	13	-	129	15,7	13,8
K0266.131204	reamed hole with slot	without transverse hole	steel	125	4	36	12	-	140	83	44	18,5	-	161	19,5	13,8
K0266.131405	reamed hole with slot	without transverse hole	steel	125	5	36	14	-	140	83	44	18,5	-	161	19,5	16,3
K0266.1108026	reamed hole with slot	with transverse bore	steel	80	2	24	8	M6	85,7	49	28,5	13	7,5	104	12,7	9
K0266.1110036	reamed hole with slot	with transverse bore	steel	80	3	24	10	M6	85,7	49	28,5	13	7,5	104	12,7	11,4
K0266.1210036	reamed hole with slot	with transverse bore	steel	100	3	29	10	M6	105,2	59,5	35,5	13	7,5	129	15,7	11,4
K0266.1212046	reamed hole with slot	with transverse bore	steel	100	4	29	12	M6	105,2	59,5	35,5	13	7,5	129	15,7	13,8
K0266.1312046	reamed hole with slot	with transverse bore	steel	125	4	36	12	M6	140	83	44	18,5	7,5	161	19,5	13,8
K0266.1314056	reamed hole with slot	with transverse bore	steel	125	5	36	14	M6	140	83	44	18,5	7,5	161	19,5	16,3