

Pneumatic clamps horizontal Form B

Item description/product images



Description

Material:

Lever parts and clamping spindle steel.

Version:

Lever parts trivalent passivated.

Clamping spindle and nuts phosphated.

Cylinder bright.

Note:

Cable length 2.5 m

Accessory:

K0101

K0102

K0103

K0106

K0107

Pneumatic cylinder:

Double-acting without end of stroke dampening and equipped with two proximity reed switches with LED indicators.

Technical data for proximity reed switch:

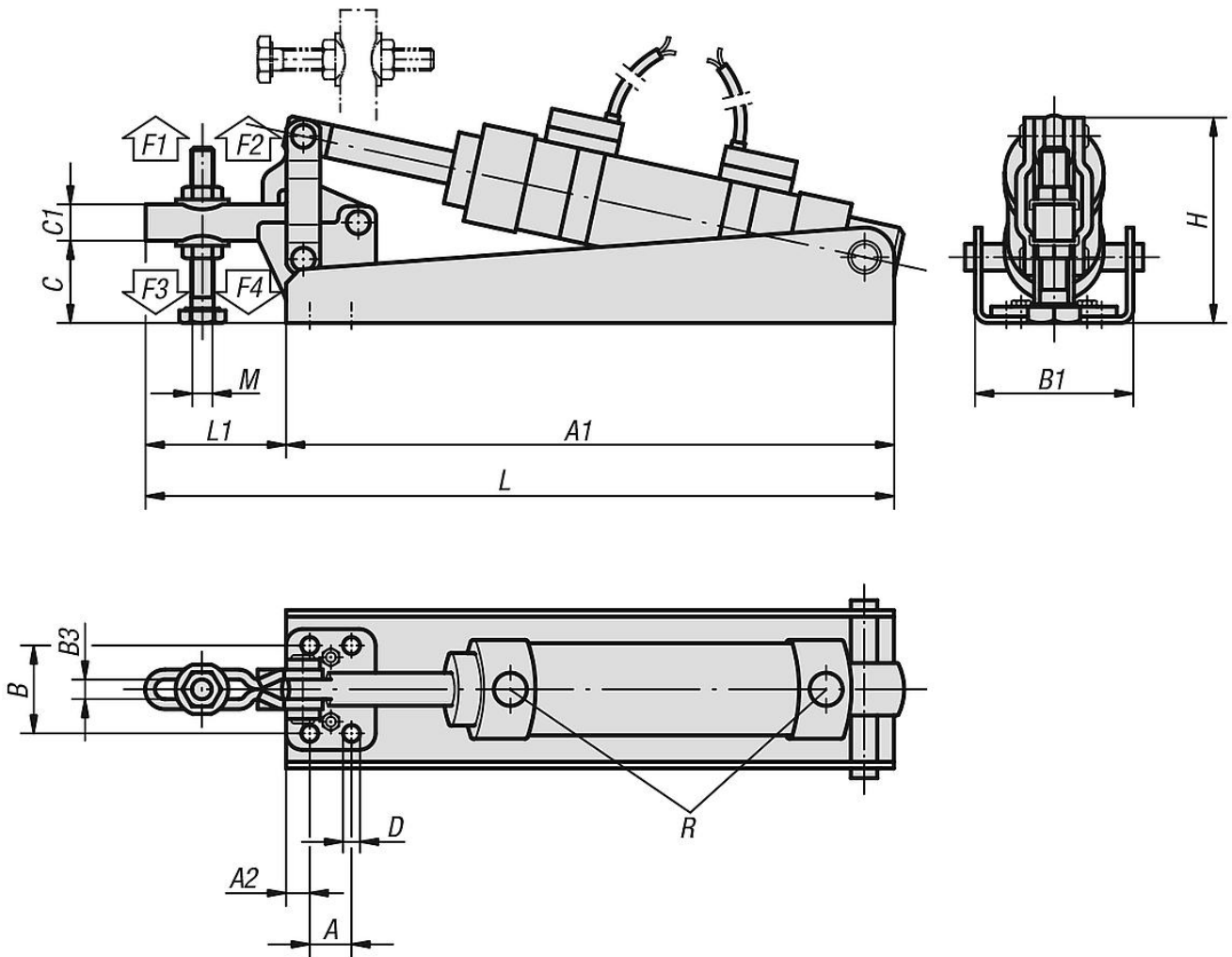
Max. performance DC = 10 W / AC = 12 VA.

Max. rated voltage 10 - 60 V, DC and AC.

Max. rated power 500 mA.

Pneumatic clamps horizontal Form B

Drawings



Overview of items

Pneumatic clamps horizontal, Form B

Order No.	Form	Air consumption per cycle	Opening angle of holding arm	Holding force at 6 bar F1 N	Holding force at 6 bar F2 N	Clamping force at 6 bar F3 N	Clamping force at 6 bar F4 N
K0090.0075	B	0,02 dm ³	70°	1000	1600	800	1400
K0090.0150	B	0,04 dm ³	85°	1300	1900	1000	1600
K0090.0250	B	0,09 dm ³	85°	1600	2400	1200	1800
K0090.0450	B	0,27 dm ³	85°	3000	5800	2600	5400

Order No.	Form	A	A1	A2	B	B1	B3	C	C1	D	H	L	L1	M	R	Operating pressure bar	strokes per min. at 6 bar
K0090.0075	B	16	145	5	24	40	5,3	18	9	4,4	50	177	32	M5x35	G1/8	2 - 6	40
K0090.0150	B	12,7	185	7	27	48	6,4	24	11	5,1	62	227	42	M6x50	G1/8	2 - 6	60
K0090.0250	B	19	234	8	32	59	8,9	35	17,5	7,1	84	309	75	M8x60	G1/8	2 - 6	55
K0090.0450	B	32	289	10	45	76	12,7	54	25	8,7	122	413	124	M12x100	G1/8	2 - 6	55

