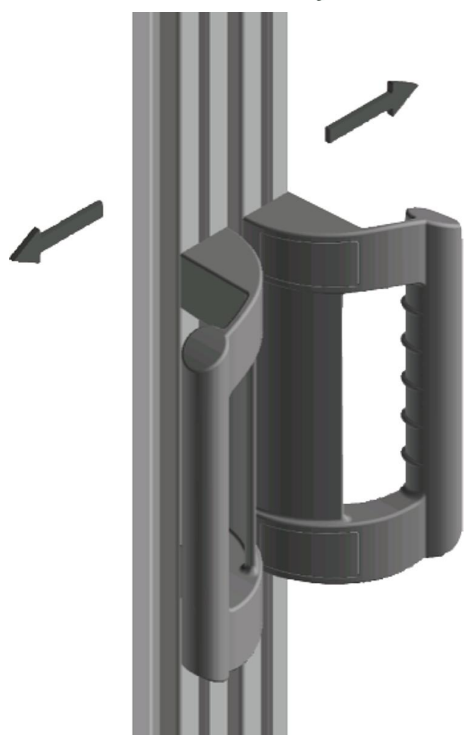


## Pull handles, plastic, angled

### Item description/product images



### Description

**Material:**

Glass-bead reinforced thermoplastic PA

**Version:**

Black.

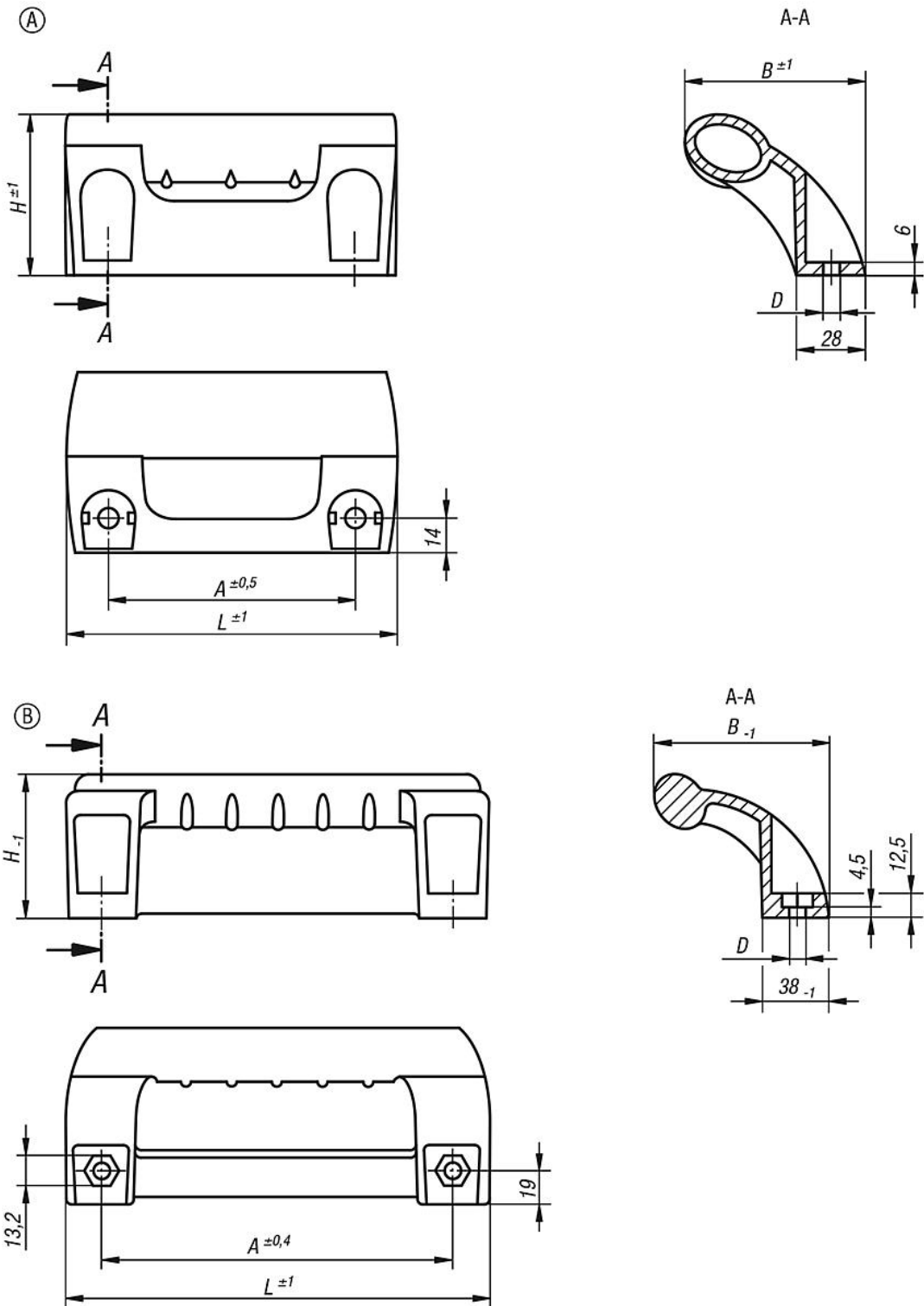
**Note:**

Ergonomic design pull handles with finger shield. For mounting on doors, hatches and aluminium profiles. Ideal for double-leaf doors. Fastening with hexagon or socket head M8 bolts.

Cover caps are not supplied with the handle, please order separately.

Pull handles, plastic, angled

Drawings



Overview of items

Pull handles angled

Order No.	Form	A	B	D	H	L	Load capacity N	Order No. cover caps
K0244.100081	A	100	73	8,5	65	134	1000	K0244.1

**Pull handles, plastic, angled****Overview of items**

Order No.	Form	A	B	D	H	L	Load capacity N	Order No. cover caps
<b>K0244.198081</b>	B	198	100	8,8	80	236	1000	K0244.3