

Recessed handles, plastic, screw-on

Item description/product images



Description

Material:

Glass bead reinforced thermoplastic.

Version:

Semi-matt, black or light grey.

Note:

These ergonomically shaped handles are ideally suited for wall thicknesses of 1-5 mm.

Assembly:

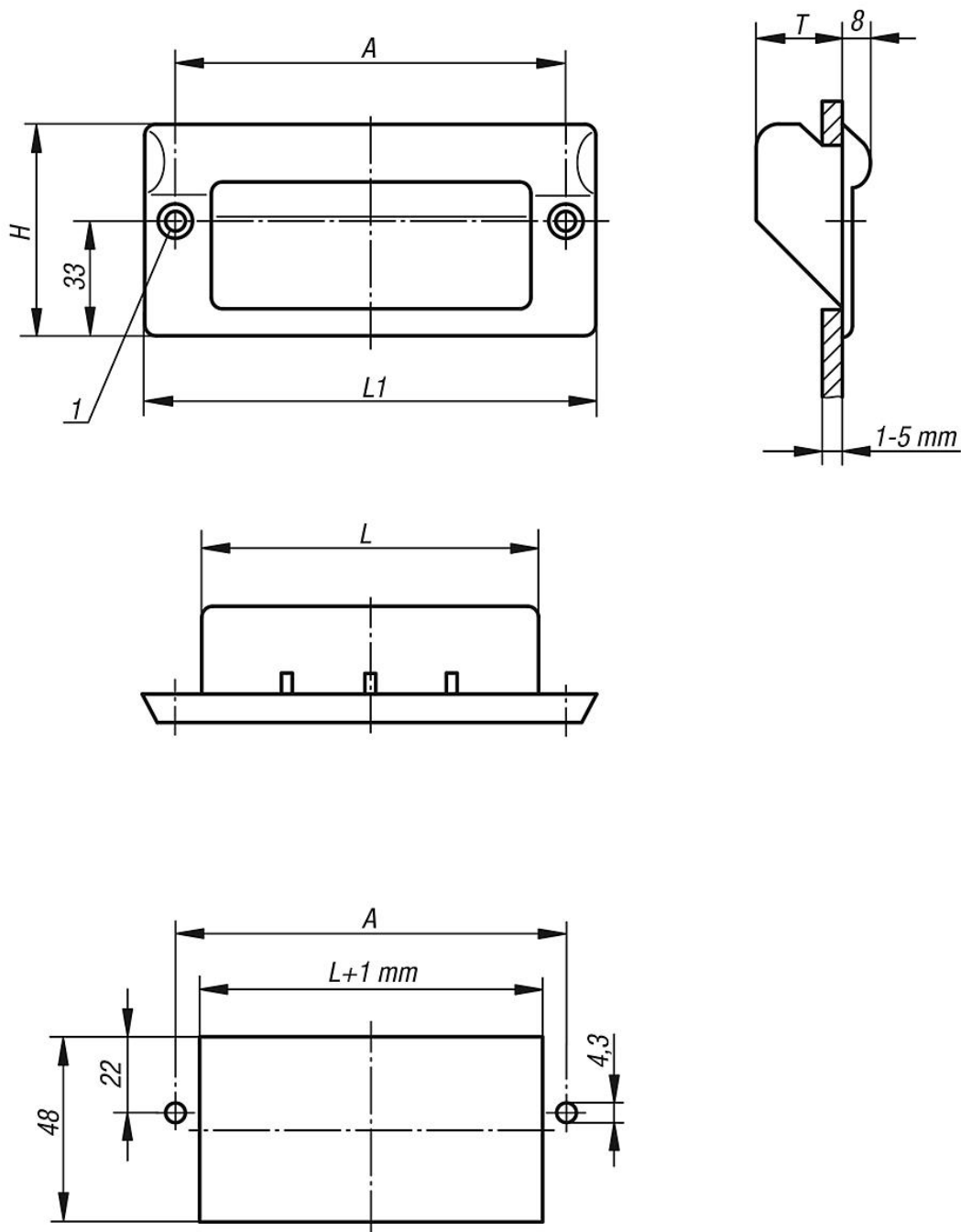
The handle is inserted in the cutout of the housing panel and then fixed from the front with 2 countersunk screws (not supplied).

Drawing reference:

1) for countersunk screws M4

Recessed handles, plastic, screw-on

Drawings



Overview of items

Recessed handles

| Order No. | Main colour | A | H | L | L1 | T | Load capacity N |
|---------------|---------------------|-----|----|----|-----|----|-----------------|
| K0242.1082041 | black | 82 | 61 | 67 | 100 | 25 | 1000 |
| K0242.1112041 | black | 112 | 61 | 97 | 130 | 25 | 1000 |
| K0242.1082042 | light grey RAL 7035 | 82 | 61 | 67 | 100 | 25 | 1000 |
| K0242.1112042 | light grey RAL 7035 | 112 | 61 | 97 | 130 | 25 | 1000 |

