

## Ledge handles, aluminium with end caps

### Item description/product images



### Description

#### Material:

Profile aluminium EN AW-6060.  
End caps black thermoplastic.

#### Version:

Matt-gloss anodised.

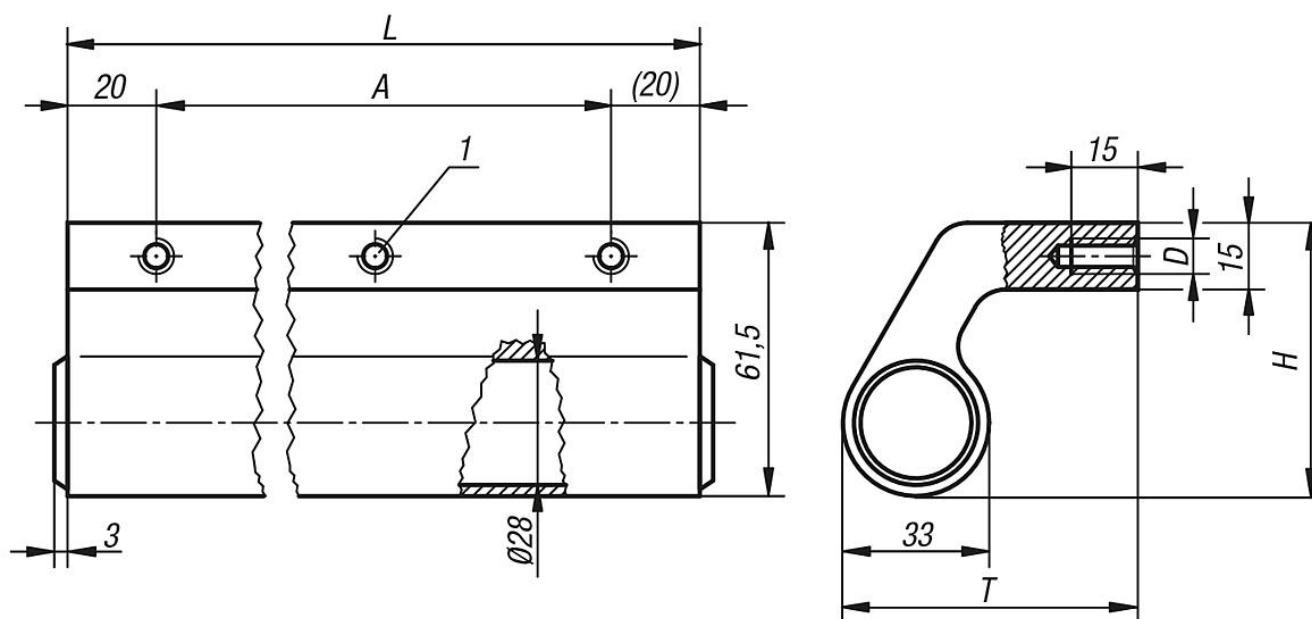
#### Note:

Ledge handles have many uses including sliding doors and technical installations. This ledge handle is also suitable as edge protection.

#### Drawing reference:

1) middle tapped hole only  $L \geq 400$  mm

### Drawings



### Overview of items

#### Ledge handles

Order No.	Main colour	A	D	H	L	T	Load capacity N
K0130.1501	natural anodized	110	M8	61,5	150	66,5	1000
K0130.2001	natural anodized	160	M8	61,5	200	66,5	1000
K0130.2501	natural anodized	210	M8	61,5	250	66,5	1000
K0130.3001	natural anodized	260	M8	61,5	300	66,5	1000
K0130.3501	natural anodized	310	M8	61,5	350	66,5	1000
K0130.4001	natural anodized	360	M8	61,5	400	66,5	1000
K0130.1502	black anodised	110	M8	61,5	150	66,5	1000
K0130.2002	black anodised	160	M8	61,5	200	66,5	1000
K0130.2502	black anodised	210	M8	61,5	250	66,5	1000
K0130.3002	black anodised	260	M8	61,5	300	66,5	1000

## Ledge handles, aluminium with end caps

### Overview of items

Order No.	Main colour	A	D	H	L	T	Load capacity N
K0130.3502	black anodised	310	M8	61,5	350	66,5	1000
K0130.4002	black anodised	360	M8	61,5	400	66,5	1000
K0130.5002	black anodised	460	M8	61,5	500	66,5	1000
K0130.6002	black anodised	560	M8	61,5	600	66,5	1000