

Tubular handles, stainless steel with investment cast grip legs

Item description/product images



Description

Material:

Grip and fasteners 1.4301 stainless steel.
 Legs investment cast 1.4581 stainless steel.

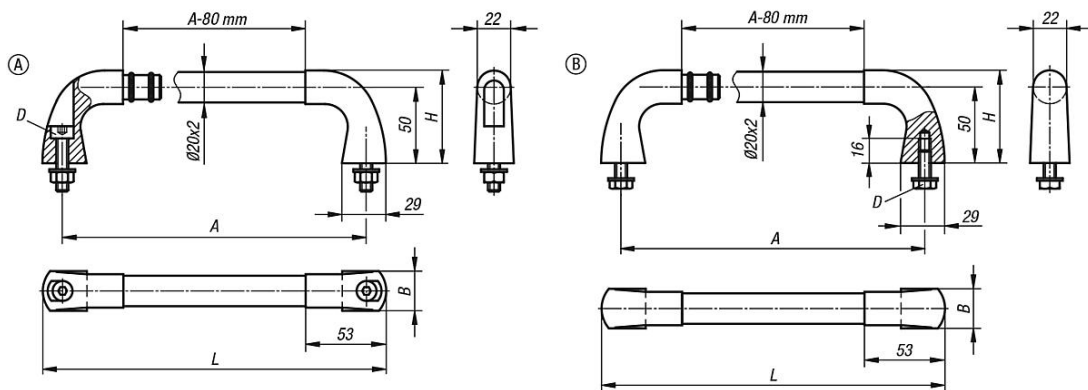
Version:

Grip finely ground or with ribbed black plastic sleeve.
 Legs abrasive cleaned and matt-gloss electropolished.

Note:

Cap screws with nuts and washers are supplied for Form A handles.
 Hexagon head screws and washers are supplied for Form B handles.

Drawings



Overview of items

Tubular handles stainless steel

Order No.	Form	Main colour	A	B	D	H	L	Load capacity N
K0227.200081	A	ground	200	26	M8x35	60	226	1000
K0227.300081	A	ground	300	26	M8x35	60	326	1000
K0227.400081	A	ground	400	26	M8x35	60	426	1000
K0227.200082	A	black plastic ribbed	200	26	M8x35	60	226	1000
K0227.300082	A	black plastic ribbed	300	26	M8x35	60	326	1000
K0227.400082	A	black plastic ribbed	400	26	M8x35	60	426	1000
K0227.200083	B	ground	200	26	M8x20	60	226	1000
K0227.300083	B	ground	300	26	M8x20	60	326	1000
K0227.400083	B	ground	400	26	M8x20	60	426	1000
K0227.200084	B	black plastic ribbed	200	26	M8x20	60	226	1000
K0227.300084	B	black plastic ribbed	300	26	M8x20	60	326	1000
K0227.400084	B	black plastic ribbed	400	26	M8x20	60	426	1000