

Pull handles arched, entirely plastic, without end caps

Item description/product images



Description

Material:
Glass-bead reinforced thermoplastic.

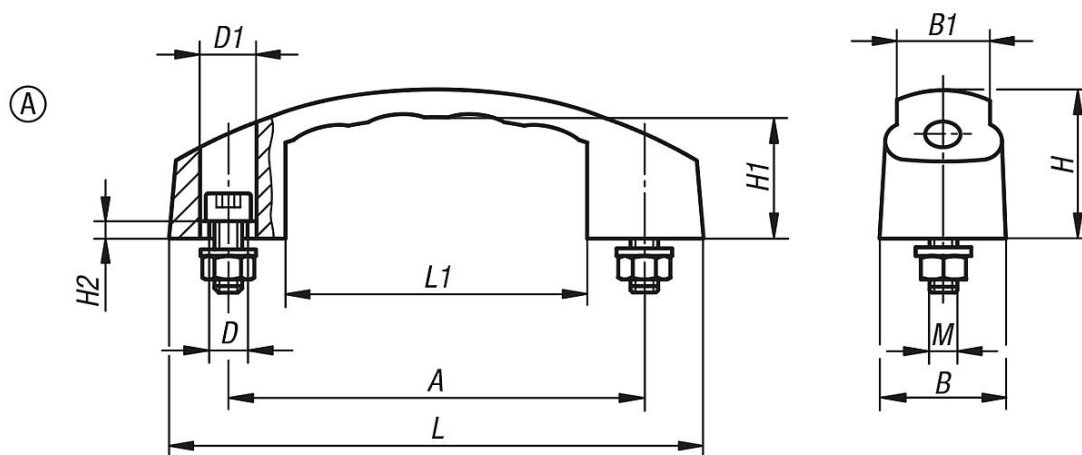
Version:
matt black.

Note:
Ergonomic and functional pull handles with temperature resistance of -50 °C to +130 °C.

Supplied with DIN 912 socket head screws, DIN 934 nuts and DIN 125 electro zinc-plated washers as well as caps for Form B. Form A are supplied without caps.

Assembly:
From the front.

Drawings



Overview of items

Bow handles

Order No.	Form	Version	A	B	B1	D	D1	H	H1	H2	L	L1	M	Load capacity N
K0192.110006	A	without cover cap	100	27	22	7	11	38	29	5	130	79	M6x25	600
K0192.112006	A	without cover cap	120	29	23	7	11	38	29	8	150	91	M6x25	600