

Five lobe grips with external thread

Item description/product images



Description

Material:

Black thermoset PF 31.

Screw electro zinc-plated steel.

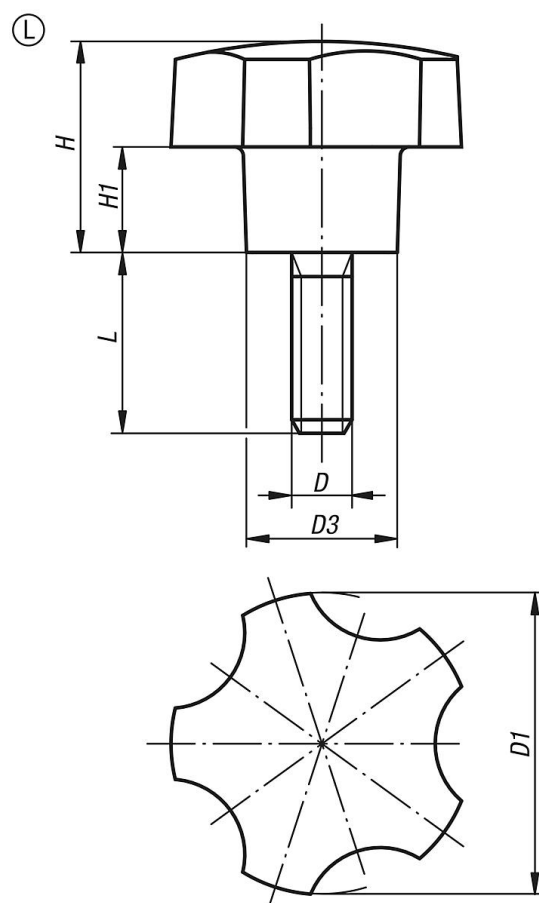
Version:

High-gloss polished.

On request:

Other screw sizes, screw lengths and colours.

Drawings



Overview of items

Order No.	Form	D	D1	D3	H	H1	L
K0185.3206X12	L	M6	32	16	22,4	11,2	12
K0185.3206X18	L	M6	32	16	22,4	11,2	18
K0185.3208X16	L	M8	32	16	22,4	11,2	16
K0185.3208X24	L	M8	32	16	22,4	11,2	24
K0185.4006X18	L	M6	40	20	28	14	18
K0185.4008X16	L	M8	40	20	28	14	16
K0185.4008X20	L	M8	40	20	28	14	20
K0185.4008X24	L	M8	40	20	28	14	24
K0185.4010X30	L	M10	40	20	28	14	30
K0185.5008X16	L	M8	50	25	35	17,5	16

Five lobe grips with external thread

Overview of items

Order No.	Form	D	D1	D3	H	H1	L
K0185.5008X24	L	M8	50	25	35	17,5	24
K0185.5010X20	L	M10	50	25	35	17,5	20
K0185.5010X30	L	M10	50	25	35	17,5	30