

Handwheels

Item description/product images



Description

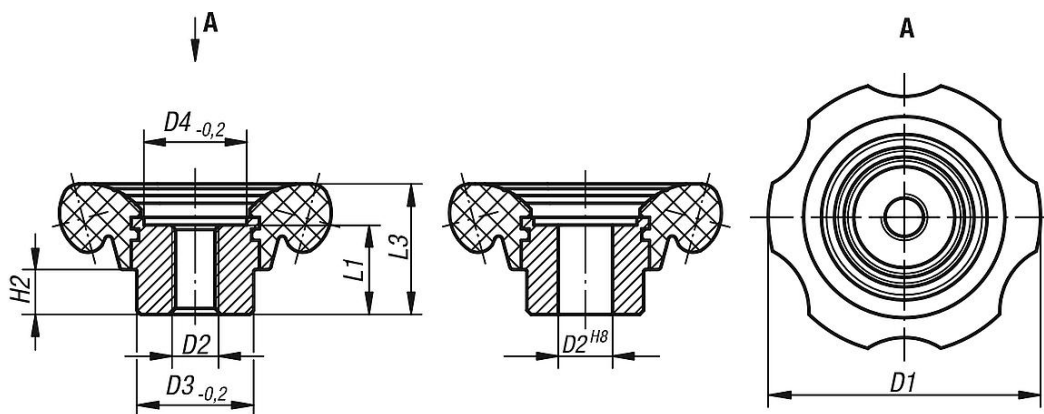
Material:

Handwheel thermoset PF 31.
Bush steel, black oxidised.

Version:

High-gloss polished, black.

Drawings



Overview of items

Handwheels

Order No.	Version 1	D1	D2	D3	D4	H2	L1	L3
K0184.70110	internal thread	70	M10	30	26,5	11,5	23	33,5
K0184.70112	internal thread	70	M12	30	26,5	11,5	23	33,5
K0184.83112	internal thread	83	M12	35	31,5	14	28	40
K0184.83116	internal thread	83	M16	35	31,5	14	28	40
K0184.70212	reamed hole	70	12H8	30	26,5	11,5	23	33,5
K0184.70214	reamed hole	70	14H8	30	26,5	11,5	23	33,5
K0184.83214	reamed hole	83	14H8	35	31,5	14	28	40
K0184.83216	reamed hole	83	16H8	35	31,5	14	28	40