

T-grips, with internal thread

Item description/product images



Description

Material:

Black thermoset PF 31.

Bush electro zinc-plated steel.

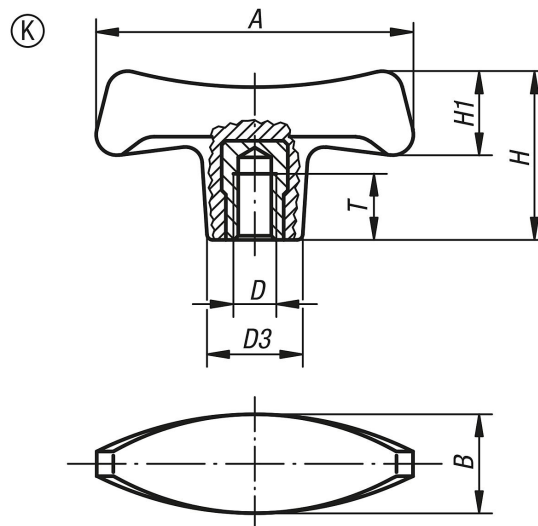
Version:

High-gloss polished.

On request:

Other colours.

Drawings



Overview of items

Order No.	Form	A	B	D	D3	H	H1	T
K0181.17006	K	70	22	M6	19,6	38,8	20,2	12
K0181.17008	K	70	22	M8	19,6	38,8	20,2	14
K0181.17010	K	70	22	M10	19,6	38,8	20,2	14
K0181.18008	K	80	25	M8	22,3	44	23	14
K0181.18010	K	80	25	M10	22,3	44	23	22
K0181.19010	K	90	28	M10	25	49,6	26	22
K0181.19012	K	90	28	M12	25	49,6	26	21