

Stop sets

Item description/product images

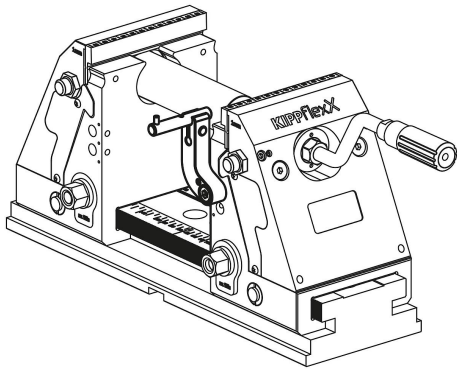


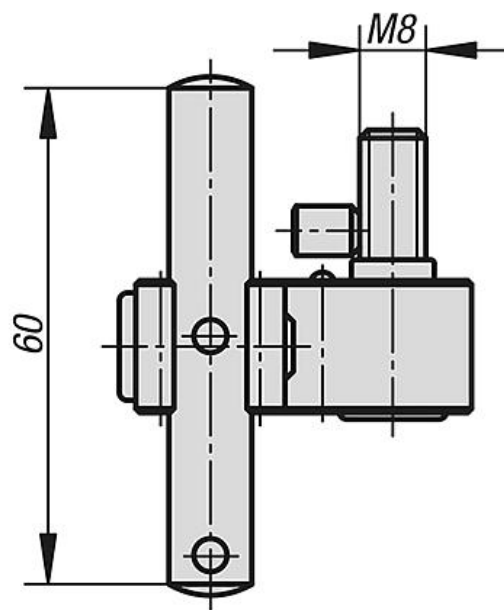
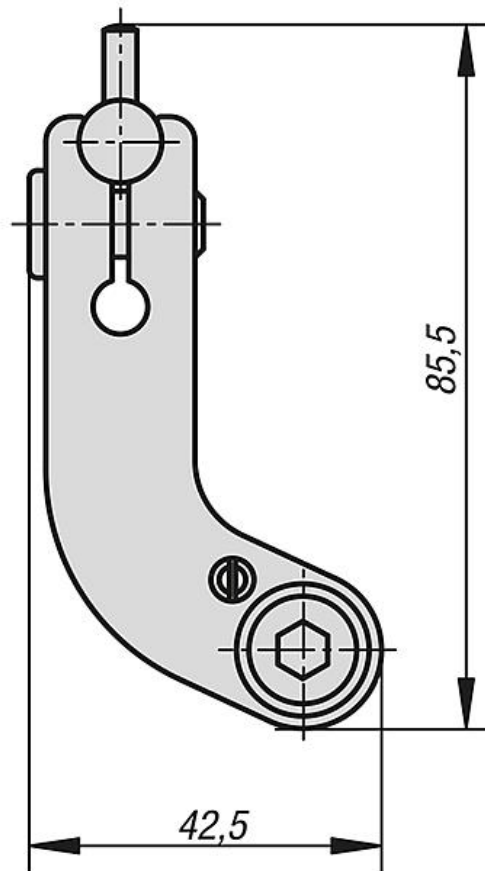
Description

Material:
Steel.

Note:
Stop set for direct fastening to jaws. The stop can be swivelled aside for machining the workpiece without losing the stop dimension.

Supplied complete with attachment parts.





Stop sets

Overview of items

Order No.	Suitable for
K0993.150	5-axis vice compact and KIPPflexX