

# Disc handwheels with revolving grip, Form E, with reamed hole

## Item description/product images



### Description

**Material:**

Thermoset PF 31, black.  
Hub nickel-plated steel.  
Revolving grip, nickel-plated steel parts.

**Version:**

High-gloss polished.

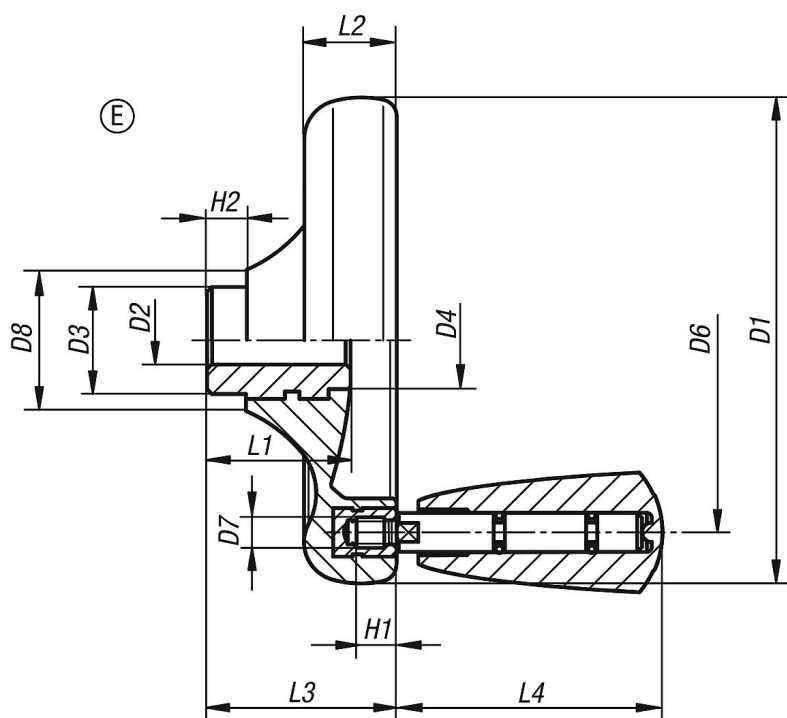
**Note:**

The handwheel is supplied with the grip loose.

**On request:**

Other reamed hole sizes.

## Drawings



## Overview of items

Order No.	Form	Form definition	Steel parts material	D1	D2	D3	D4	D6	D7	D8	H1	H2	L1	L2	L3	L4
K0164.1100X10	E	with reamed hole	steel	100	10H8	22	20	79	M6	29	9	8	29,5	19	39	54,7
K0164.1125X12	E	with reamed hole	steel	125	12H8	26	21	101	M6	34	9	8	34	24	46	54,7
K0164.1140X14	E	with reamed hole	steel	140	14H8	30	25	110	M8	39	12	8	38,5	27	52	82,2
K0164.1160X16	E	with reamed hole	steel	160	16H8	33	30	128	M8	43	12	8	41,3	30,1	57	82,2
K0164.1160X18	E	with reamed hole	steel	160	18H8	33	30	128	M8	43	12	8	41,3	30,1	57	82,2

**Disc handwheels with revolving grip, Form E, with reamed hole**

Overview of items

---