

Handwheels 2-spoke flat rim, aluminium

Item description/product images



Description

Material:

Handwheels aluminium.

Cylinder grip black thermoset PF 31-DIN 7708, centre pin electro zinc-plated steel.

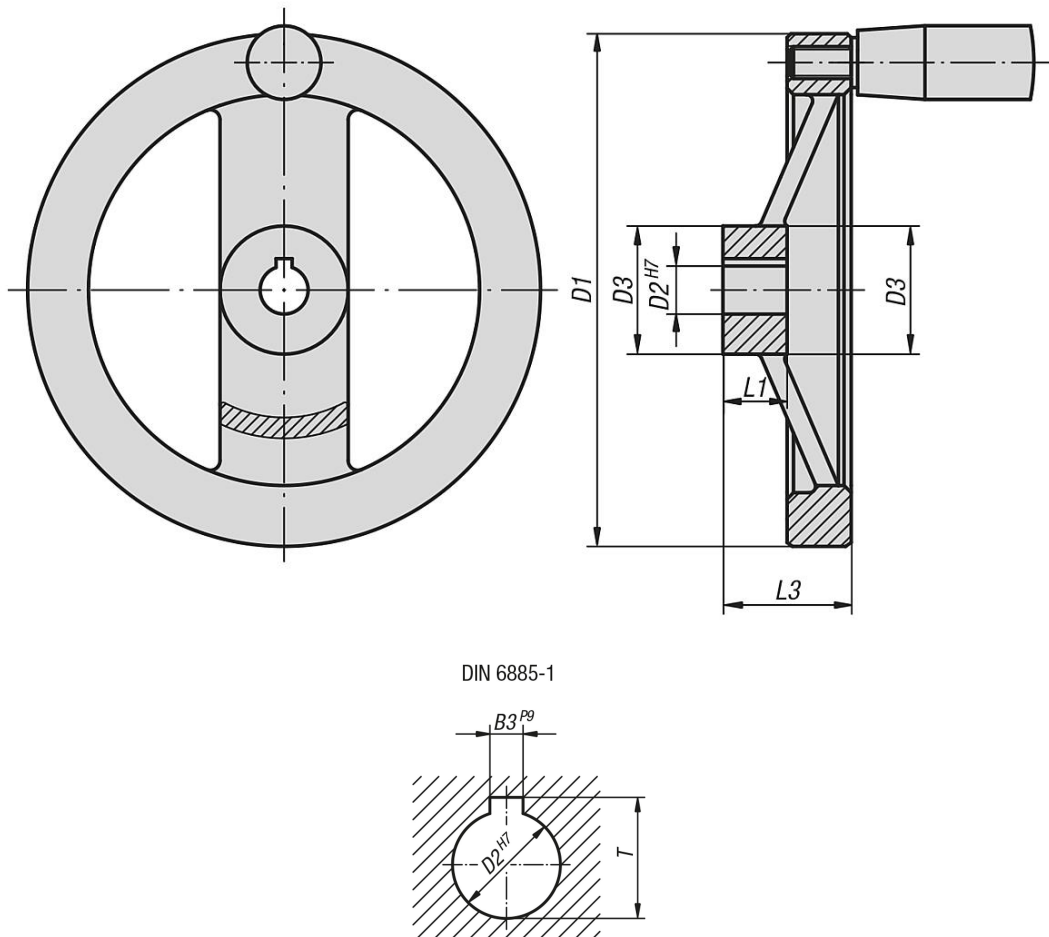
Version:

Wheel rim turned and polished.

On request:

Hubs with square socket or powder-coated handwheels.

Drawings



Overview of items

Handwheels 2-spoke flat rim, aluminium

Order No.	Version 1	D1	D2	D3	L1	L3	B3	T	Fixed cylinder grip	Revolving cylinder grip
K0162.0080X10	reamed hole	80	10H7	24	16	28	-	-	-	-
K0162.0080X12	reamed hole	80	12H7	24	16	28	-	-	-	-
K0162.0100X10	reamed hole	100	10H7	26	17	33	-	-	-	-

Handwheels 2-spoke flat rim, aluminium

Overview of items

Order No.	Version 1	D1	D2	D3	L1	L3	B3	T	Fixed cylinder grip	Revolving cylinder grip
K0162.0100X12	reamed hole	100	12H7	26	17	33	-	-	-	-
K0162.0125X12	reamed hole	125	12H7	31	18	33,5	-	-	-	-
K0162.0125X14	reamed hole	125	14H7	31	18	33,5	-	-	-	-
K0162.0160X14	reamed hole	160	14H7	40	20	39	-	-	-	-
K0162.0160X16	reamed hole	160	16H7	40	20	39	-	-	-	-
K0162.0200X18	reamed hole	200	18H7	42	24	45	-	-	-	-
K0162.0200X20	reamed hole	200	20H7	42	24	45	-	-	-	-
K0162.0250X22	reamed hole	250	22H7	48	28	51	-	-	-	-
K0162.0250X26	reamed hole	250	26H7	48	28	51	-	-	-	-
K0162.1080X10	reamed hole with slot	80	10H7	24	16	28	3	11,4	-	-
K0162.1080X12	reamed hole with slot	80	12H7	24	16	28	4	13,8	-	-
K0162.1100X10	reamed hole with slot	100	10H7	26	17	33	3	11,4	-	-
K0162.1100X12	reamed hole with slot	100	12H7	26	17	33	4	13,8	-	-
K0162.1125X12	reamed hole with slot	125	12H7	31	18	33,5	4	13,8	-	-
K0162.1125X14	reamed hole with slot	125	14H7	31	18	33,5	5	16,3	-	-
K0162.1160X14	reamed hole with slot	160	14H7	40	20	39	5	16,3	-	-
K0162.1160X16	reamed hole with slot	160	16H7	40	20	39	5	18,3	-	-
K0162.1200X18	reamed hole with slot	200	18H7	42	24	45	6	20,8	-	-
K0162.1200X20	reamed hole with slot	200	20H7	42	24	45	6	22,8	-	-
K0162.1250X22	reamed hole with slot	250	22H7	48	28	51	6	24,8	-	-
K0162.1250X26	reamed hole with slot	250	26H7	48	28	51	8	29,3	-	-
K0162.2080X10	reamed hole	80	10H7	24	16	28	-	-	ø18 x M6 x 40	-
K0162.2080X12	reamed hole	80	12H7	24	16	28	-	-	ø18 x M6 x 40	-
K0162.2100X10	reamed hole	100	10H7	26	17	33	-	-	ø18 x M6 x 40	-
K0162.2100X12	reamed hole	100	12H7	26	17	33	-	-	ø18 x M6 x 40	-
K0162.2125X12	reamed hole	125	12H7	31	18	33,5	-	-	ø21 x M8 x 50	-
K0162.2125X14	reamed hole	125	14H7	31	18	33,5	-	-	ø21 x M8 x 50	-
K0162.2160X14	reamed hole	160	14H7	40	20	39	-	-	ø26 x M10 x 80	-
K0162.2160X16	reamed hole	160	16H7	40	20	39	-	-	ø26 x M10 x 80	-
K0162.2200X18	reamed hole	200	18H7	42	24	45	-	-	ø26 x M10 x 80	-
K0162.2200X20	reamed hole	200	20H7	42	24	45	-	-	ø26 x M10 x 80	-
K0162.2250X22	reamed hole	250	22H7	48	28	51	-	-	ø28 x M12 x 90	-
K0162.2250X26	reamed hole	250	26H7	48	28	51	-	-	ø28 x M12 x 90	-
K0162.3080X10	reamed hole with slot	80	10H7	24	16	28	3	11,4	ø18 x M6 x 40	-
K0162.3080X12	reamed hole with slot	80	12H7	24	16	28	4	13,8	ø18 x M6 x 40	-
K0162.3100X10	reamed hole with slot	100	10H7	26	17	33	3	11,4	ø18 x M6 x 40	-
K0162.3100X12	reamed hole with slot	100	12H7	26	17	33	4	13,8	ø18 x M6 x 40	-
K0162.3125X12	reamed hole with slot	125	12H7	31	18	33,5	4	13,8	ø21 x M8 x 50	-
K0162.3125X14	reamed hole with slot	125	14H7	31	18	33,5	5	16,3	ø21 x M8 x 50	-
K0162.3160X14	reamed hole with slot	160	14H7	40	20	39	5	16,3	ø26 x M10 x 80	-
K0162.3160X16	reamed hole with slot	160	16H7	40	20	39	5	18,3	ø26 x M10 x 80	-
K0162.3200X18	reamed hole with slot	200	18H7	42	24	45	6	20,8	ø26 x M10 x 80	-
K0162.3200X20	reamed hole with slot	200	20H7	42	24	45	6	22,8	ø26 x M10 x 80	-
K0162.3250X22	reamed hole with slot	250	22H7	48	28	51	6	24,8	ø28 x M12 x 90	-
K0162.3250X26	reamed hole with slot	250	26H7	48	28	51	8	29,3	ø28 x M12 x 90	-
K0162.4080X10	reamed hole	80	10H7	24	16	28	-	-	-	ø18 x M6 x 40
K0162.4080X12	reamed hole	80	12H7	24	16	28	-	-	-	ø18 x M6 x 40
K0162.4100X10	reamed hole	100	10H7	26	17	33	-	-	-	ø18 x M6 x 40
K0162.4100X12	reamed hole	100	12H7	26	17	33	-	-	-	ø18 x M6 x 40
K0162.4125X12	reamed hole	125	12H7	31	18	33,5	-	-	-	ø22 x M8 x 56
K0162.4125X14	reamed hole	125	14H7	31	18	33,5	-	-	-	ø22 x M8 x 56
K0162.4160X14	reamed hole	160	14H7	40	20	39	-	-	-	ø26 x M10 x 80
K0162.4160X16	reamed hole	160	16H7	40	20	39	-	-	-	ø26 x M10 x 80
K0162.4200X18	reamed hole	200	18H7	42	24	45	-	-	-	ø26 x M10 x 80
K0162.4200X20	reamed hole	200	20H7	42	24	45	-	-	-	ø26 x M10 x 80
K0162.4250X22	reamed hole	250	22H7	48	28	51	-	-	-	ø31 x M12 x 102
K0162.4250X26	reamed hole	250	26H7	48	28	51	-	-	-	ø31 x M12 x 102
K0162.5080X10	reamed hole with slot	80	10H7	24	16	28	3	11,4	-	ø18 x M6 x 40
K0162.5080X12	reamed hole with slot	80	12H7	24	16	28	4	13,8	-	ø18 x M6 x 40
K0162.5100X10	reamed hole with slot	100	10H7	26	17	33	3	11,4	-	ø18 x M6 x 40
K0162.5100X12	reamed hole with slot	100	12H7	26	17	33	4	13,8	-	ø18 x M6 x 40

Handwheels 2-spoke flat rim, aluminium

Overview of items

Order No.	Version 1	D1	D2	D3	L1	L3	B3	T	Fixed cylinder grip	Revolving cylinder grip
K0162.5125X12	reamed hole with slot	125	12H7	31	18	33,5	4	13,8	-	ø22 x M8 x 56
K0162.5125X14	reamed hole with slot	125	14H7	31	18	33,5	5	16,3	-	ø22 x M8 x 56
K0162.5160X14	reamed hole with slot	160	14H7	40	20	39	5	16,3	-	ø26 x M10 x 80
K0162.5160X16	reamed hole with slot	160	16H7	40	20	39	5	18,3	-	ø26 x M10 x 80
K0162.5200X18	reamed hole with slot	200	18H7	42	24	45	6	20,8	-	ø26 x M10 x 80
K0162.5200X20	reamed hole with slot	200	20H7	42	24	45	6	22,8	-	ø26 x M10 x 80
K0162.5250X22	reamed hole with slot	250	22H7	48	28	51	6	24,8	-	ø31 x M12 x 102
K0162.5250X26	reamed hole with slot	250	26H7	48	28	51	8	29,3	-	ø31 x M12 x 102