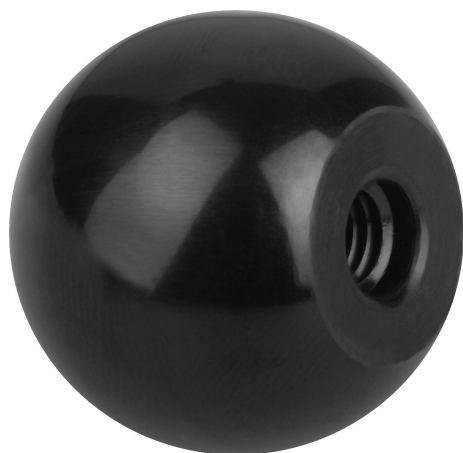


Ball knobs, smooth, DIN 319 enhanced, Form C, with molded thread

Item description/product images



Description

Material:

Black thermoset PF 31

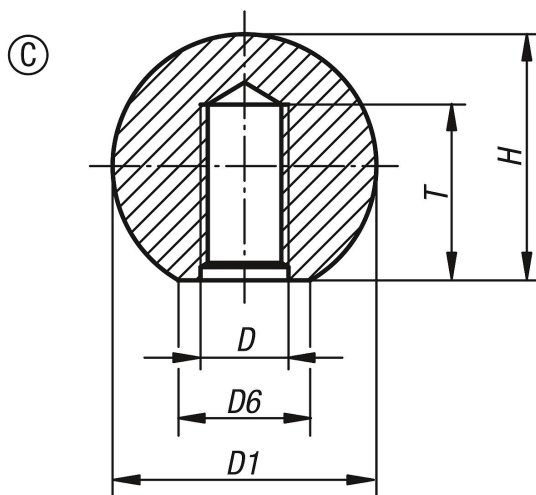
Version:

High-gloss polished.

On request:

* These versions are available from stock in dark red at extra charge.

Drawings



Overview of items

Order No.	Form	Main colour	D	D1	D6	H	T
K0159.11604	C	black	M4	16	8	15	6
K0159.11605	C	black	M5	16	8	15	7,5
K0159.11606	C	black	M6	16	8	15	9
K0159.12005	C	black	M5	20	12	18	7,5
K0159.12006	C	black	M6	20	12	18	9
K0159.12506	C	black	M6	25	15	23	9
K0159.12508	C	black	M8	25	15	23	12
K0159.13008	C	black	M8	30	16	28	12
K0159.13208	C	black	M8	32	18	29	12
K0159.13210	C	black	M10	32	18	29	15
K0159.13508	C	black	M8	36	17	33	18
K0159.13510	C	black	M10	36	17	33	15
K0159.14008	C	black	M8	40	20	37,5	12
K0159.14010	C	black	M10	40	20	37,5	15
K0159.14012	C	black	M12	40	20	37,5	18
K0159.14510	C	black	M10	45	20	43	15
K0159.14512	C	black	M12	45	20	43	18
K0159.15010	C	black	M10	50	22	48	15
K0159.15012	C	black	M12	50	28	48	18
K0159.116041	C	red	M4	16	8	15	6

Ball knobs, smooth, DIN 319 enhanced, Form C, with molded thread**Overview of items**

Order No.	Form	Main colour	D	D1	D6	H	T
K0159.116051	C	red	M5	16	8	15	7,5
K0159.120051	C	red	M5	20	12	18	7,5
K0159.120061	C	red	M6	20	12	18	9
K0159.125061	C	red	M6	25	15	23	9
K0159.125081	C	red	M8	25	15	23	12
K0159.130081	C	red	M8	30	16	28	12
K0159.132081	C	red	M8	32	18	29	12
K0159.140081	C	red	M8	40	20	37,5	12
K0159.135101	C	red	M10	36	17	33	15
K0159.140101	C	red	M10	40	20	37,5	15
K0159.150101	C	red	M10	50	22	48	15
K0159.150121	C	red	M12	50	28	48	18