

Star grips similar to DIN 6336, without bush, with reamed hole, Form G

Item description/product images

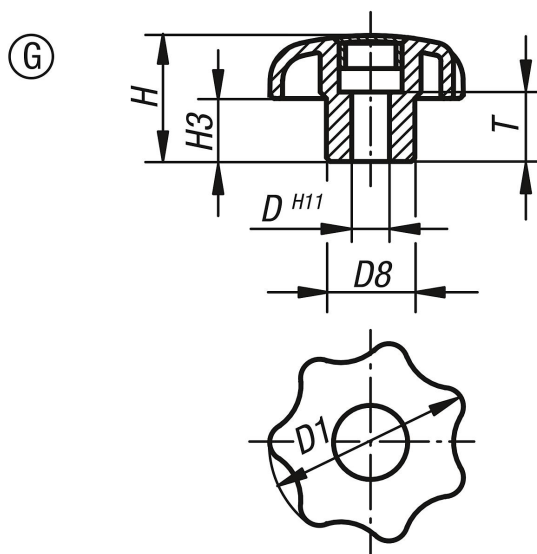


Description

Material:
Black thermoplastic.

On request:
Other colours or designs, such as company logo.

Drawings



Overview of items

Order No.	Form	Colour Cap	D	D1	D8	H	H3	T
K0155.305	G	jet black	5	25	12	16	8	10
K0155.3055	G	light grey RAL 7035	5	25	12	16	8	10
K0155.3056	G	traffic red RAL 3020	5	25	12	16	8	10
K0155.3057	G	colza yellow RAL 1021	5	25	12	16	8	10
K0155.306	G	jet black	6	32	14	20	10	10
K0155.3065	G	light grey RAL 7035	6	32	14	20	10	10
K0155.3066	G	traffic red RAL 3020	6	32	14	20	10	10
K0155.3067	G	colza yellow RAL 1021	6	32	14	20	10	10
K0155.308	G	jet black	8	40	18	25	13	14
K0155.3085	G	light grey RAL 7035	8	40	18	25	13	14
K0155.3086	G	traffic red RAL 3020	8	40	18	25	13	14
K0155.3087	G	colza yellow RAL 1021	8	40	18	25	13	14
K0155.310	G	jet black	10	50	22	32	17	14
K0155.3105	G	light grey RAL 7035	10	50	22	32	17	14
K0155.3106	G	traffic red RAL 3020	10	50	22	32	17	14
K0155.3107	G	colza yellow RAL 1021	10	50	22	32	17	14
K0155.312	G	jet black	12	63	26	40	21	18
K0155.3125	G	light grey RAL 7035	12	63	26	40	21	18
K0155.3126	G	traffic red RAL 3020	12	63	26	40	21	18
K0155.3127	G	colza yellow RAL 1021	12	63	26	40	21	18

