

Star grips DIN 6336, grey cast iron, Form A, blank

Item description/product images



Description

Material:

Grey cast iron GJL 200.

Version:

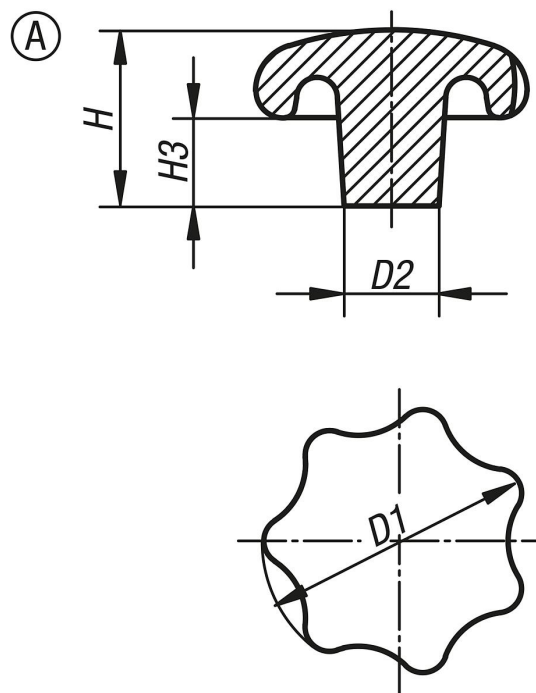
Vibratory ground.

Bright.

On request:

Grips with a plastic coating.

Drawings



Overview of items

Grey Cast Iron Star Grips DIN 6336

Order No.	Surface finish body	Form	D1	D2	H	H3
K0151.106	tumbled	A	32	12	21	10
K0151.108	tumbled	A	40	14	26	13
K0151.110	tumbled	A	50	18	34	17
K0151.112	tumbled	A	63	20	42	21
K0151.116	tumbled	A	80	25	52	25