

Star grips similar to DIN 6336, stainless steel, Form D, thread countersunk

Item description/product images



Description

Material:

Stainless steel 1.4308.

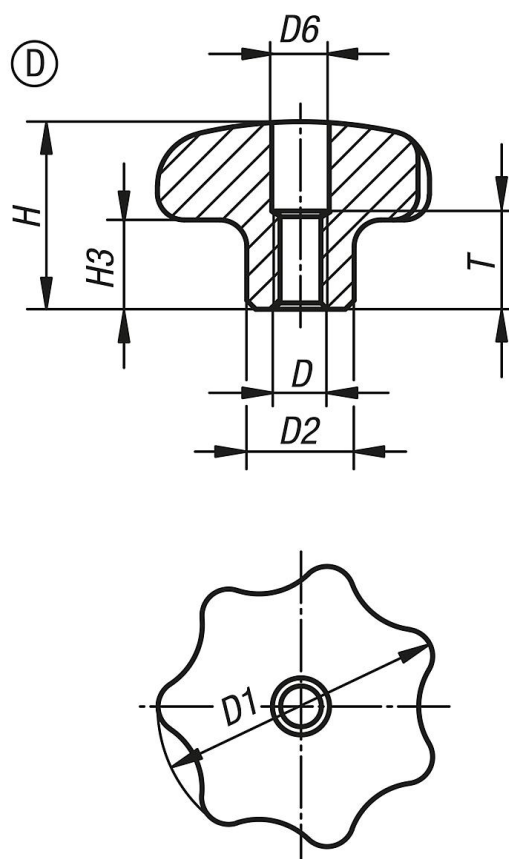
Version:

Ground and polished or blasted.

On request:

With external thread.

Drawings



Overview of items

Order No.	Form	Surface finish body	D	D1	D2	D6	H	H3	T
K0150.432062	D	polished	M6	32	12	6,4	21	10	11
K0150.440082	D	polished	M8	40	14	8,4	26	13	14
K0150.450102	D	polished	M10	50	18	10,5	34	17	18
K0150.463122	D	polished	M12	63	20	13	42	21	22
K0150.432063	D	blasted	M6	32	12	6,4	21	10	11
K0150.440083	D	blasted	M8	40	14	8,4	26	13	14
K0150.450103	D	blasted	M10	50	18	10,5	34	17	18
K0150.463123	D	blasted	M12	63	20	13	42	21	22

**Star grips similar to DIN 6336, stainless steel, Form D, thread
countersunk**

Overview of items

