

Palm grips DIN 6335, grey cast iron, Form A, blank

Item description/product images

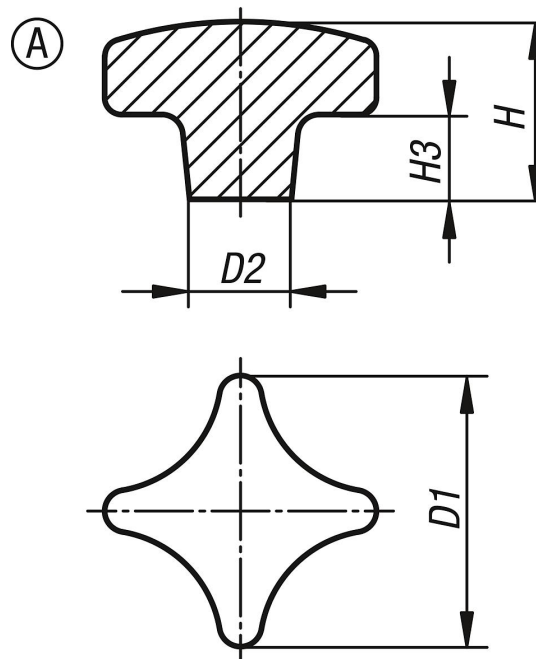


Description

Material:
Grey cast iron GJL 200.

Version:
Vibratory ground.
Bright.

Drawings



Overview of items

Grey Cast Iron Palm Grips DIN 6335

Order No.	Form	D1	D2	H	H3
K0147.106	A	32	12	21	10
K0147.108	A	40	14	26	14
K0147.110	A	50	18	34	20
K0147.112	A	63	20	42	25
K0147.116	A	80	25	52	30
K0147.120	A	100	32	65	38